



Sections

Frame 80 mm, Sash 80 mm

Polyamide Strip Length

Frame 45 mm

Sash 45 mm

Profile Thickness

Door 1.8 mm

Glazing

Max. 48 mm, Min. 25 mm

Maximum Sash Dimensions

Width (L) 1200 mm, Height (H) 3000 mm

Maximum Sash Weight

120 kg

Consult maximum weight and dimensions according to typologies

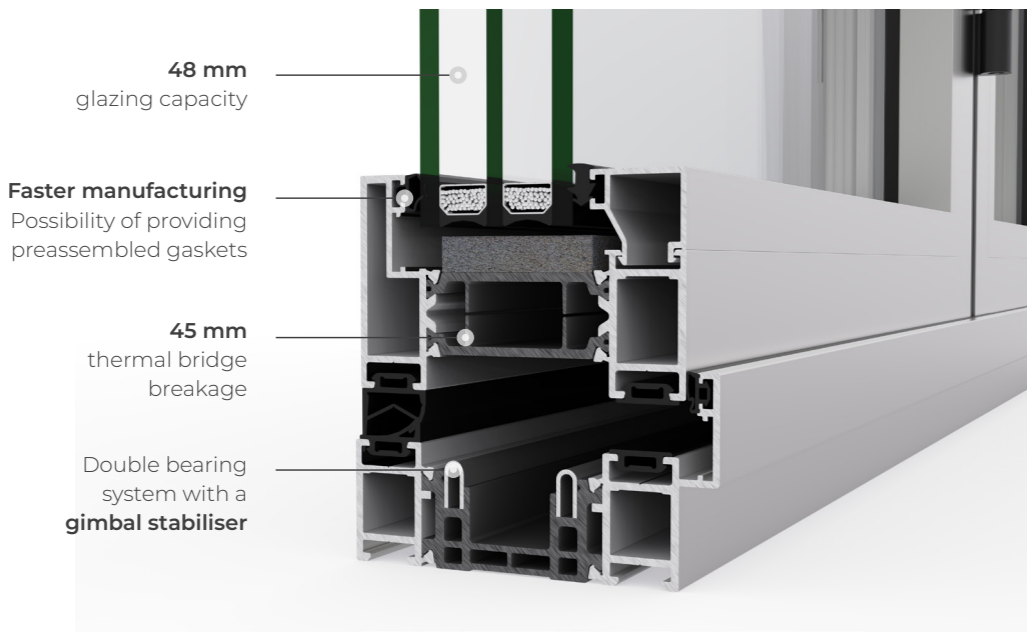


BI-FOLD PLUS



Separate environments and unify spaces with this bi-fold door system with an 80 mm deep frame. This evolution of the Bi-fold series offers an excellent thermal and acoustic performance, thanks to its 45 mm thermal break and a glazing capacity up to 48 mm.

Besides, it presents a slim central section of 110 mm which allows the maximisation of the glazed surface, filling the interior spaces with natural light.



48 mm glazing capacity

Faster manufacturing
Possibility of providing preassembled gaskets

45 mm thermal bridge breakage

Double bearing system with a gimbal stabiliser

- High thermal & acoustic performance
- Maximized glazed surface
- Double bearing system with a gimbal stabiliser
- Faster manufacturing
- High security

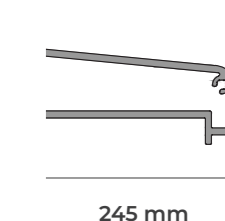
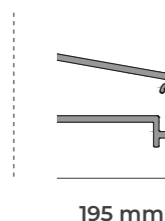
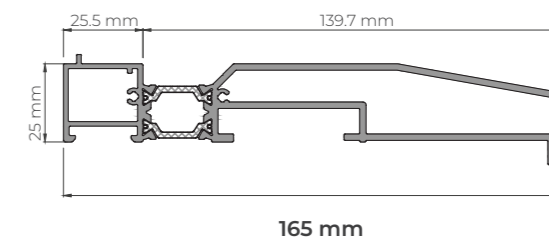
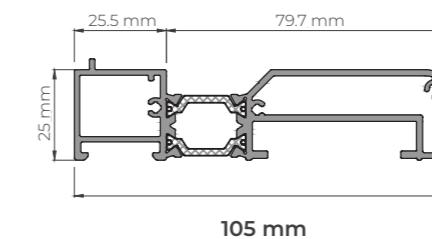


FEATURES

Transmittance		$U_w \geq 0.8$ (W/m ² K)	<small>*For double glazing with Ug=1 and psi=0,036 Uw from 1,2 (W/m²K)</small>
Air permeability		Class 4	
Water tightness		Class E750	
Wind resistance		Class C3	
Repeated openings and closings		50,000 cycles (Main swing door)	25,000 cycles (Even sashes)
Security test		Passed	

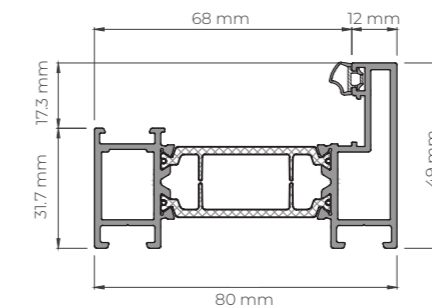


DRAINAGE SUB SILLS

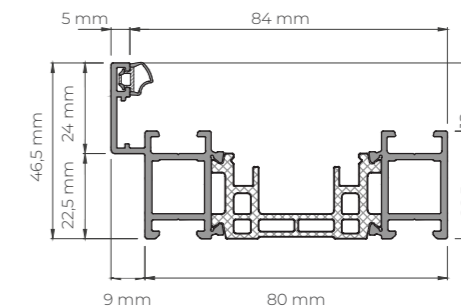


PROFILES WITH PRE-ASSEMBLED GASKET

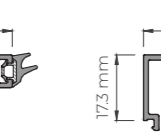
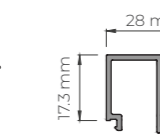
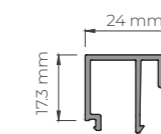
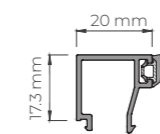
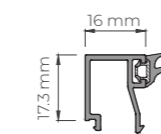
Sash With Gasket



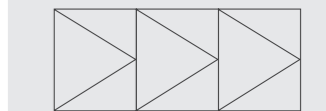
Standard Sill Outer Frame



Glazing beads



OPENING POSSIBILITIES



Inward

Outward

Up to 14 sashes

Up to 14 sashes

90° corner sash without mullion

POSSIBILITIES



Reference test 3.73 x 2.50 m, 3 sashes
Security test: 3 sashes reference test. Configuration 321 2.70 x 2.50 m
Resistance to repeated openings and closings: EN 1191, 3 sashes reference test.
Configuration 321 3.73 x 2.50 m