

deceuninck

HERITAGE 2800

WINDOW AND DOORS

CUTTING EDGE

THE HERITAGE 2800 MULTI-FUNCTION WEATHERSEAL IS AT THE CUTTING EDGE OF MODERN DESIGN AND MATERIAL TECHNOLOGY



HERITAGE 2800
WINDOW AND DOORS

deceuninck



HERITAGE 2800

STORM CASEMENT INTERNALLY GLAZED

FRAMING

- choice of three outer frame sizes (55mm, 70mm, 85mm)
- choice of three transom/mullion sizes (70mm, 85mm, 110mm)

SEALS/GASKETS

- main profiles supplied with high-performance integral multifunctional seal/gasket

REINFORCING

- galvanised steel profiles optimised for strength and rigidity
- optional thermal chamber insulator (TCI) for enhanced thermal performance and screw retention

WINDOW STYLES

- top hung, side hung and fixed light frames
- multilights combining above elements

FABRICATION

- fully welded construction
- mechanically joined transoms/mullions

GLAZING

- glazing options from 3mm up to 40mm thickness
- Georgian bar

ANCILLARIES

- frame extensions and cills
- lightweight and structural coupling members
- Mock sash horn

HARDWARE

- 17.5mm cavity depth
- 9mm sash cover
- 19mm rebate height

SECURITY

- Kitemarked approved to PAS 24 enhanced security standard

THERMAL INSULATION

- U_w 0.90 W/m²k
- WER C to A++

ACOUSTIC PERFORMANCE

- R_w (C; Ctr) 35 (-2; -5) dB
- R_w (C; Ctr) 38 (-1; -4) dB

DESIGN

- symmetrical profile concept for balanced aesthetics
- complements classical and contemporary architecture
- white colour RAL 9016
- many foil colour options available from stock
- Decoroc® colours and more foils on request

SIZE LIMITATION AND PERFORMANCE CHARACTERISTICS

WINDOW TYPE	LENGTH (MM) - MAXIMUM	HEIGHT (MM) - MAXIMUM	PERIMETER (MM) - MAXIMUM	TRANSOM/MULLION LENGTH (MM) INC. FRAME - MAXIMUM	AIR PERMEABILITY CLASSIFICATION	WATER TIGHTNESS CLASSIFICATION	RESISTANCE TO WIND CLASSIFICATION	EXPOSURE CATEGORY AS GIVEN IN TABLE 1 OF BS 6375-1
-------------	--------------------------	--------------------------	-----------------------------	--	------------------------------------	-----------------------------------	---	--

SASH DIMENSIONS FOR WINDOWS WITH APPROVED SASH PROFILES:

PROJECTING TOP HUNG	1200	1500	-	-	4	E1050	A5	2000
PROJECTING SIDE HUNG	900	1400	-	-	4	7A	A5	2000

OVERALL DIMENSIONS FOR WINDOWS WITH APPROVED OUTER FRAME PROFILES:

FIXED	3000	3000	8000	-	4	9A	A5	2000
-------	------	------	------	---	---	----	----	------

OVERALL DIMENSIONS FOR APPROVED OUTER FRAMES AND TRANSOM/MULLION PROFILES:

MULTI-LIGHT - STEEL TRANSOM/MULLION REINFORCEMENT	2400	2400	7600	1400	4	9A	A5	2000
---	------	------	------	------	---	----	----	------

HERITAGE 2800

deceuninck

STORM CASEMENT VERTICAL SECTION

nbsPlus

riba
product
selector

nbs
BIM

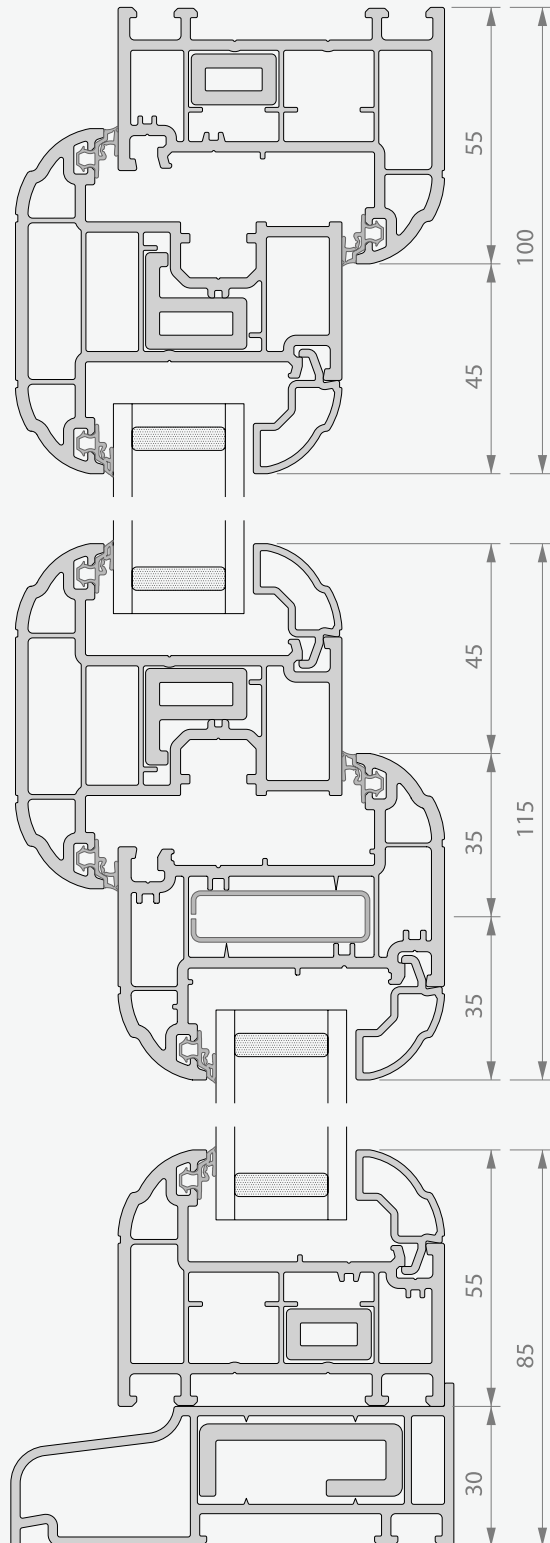
TECHNICAL AND SPECIFICATION SUPPORT

Specification Support forms an essential link between architects, specifiers and approved Deceuninck fabricators and installers. The team provide informed guidance on the use of products, samples, drawings and specifications with contact maintained throughout each stage of a contract to completion.

Deceuninck can offer a technical design service for suitable schemes embracing:



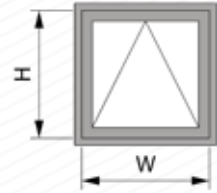
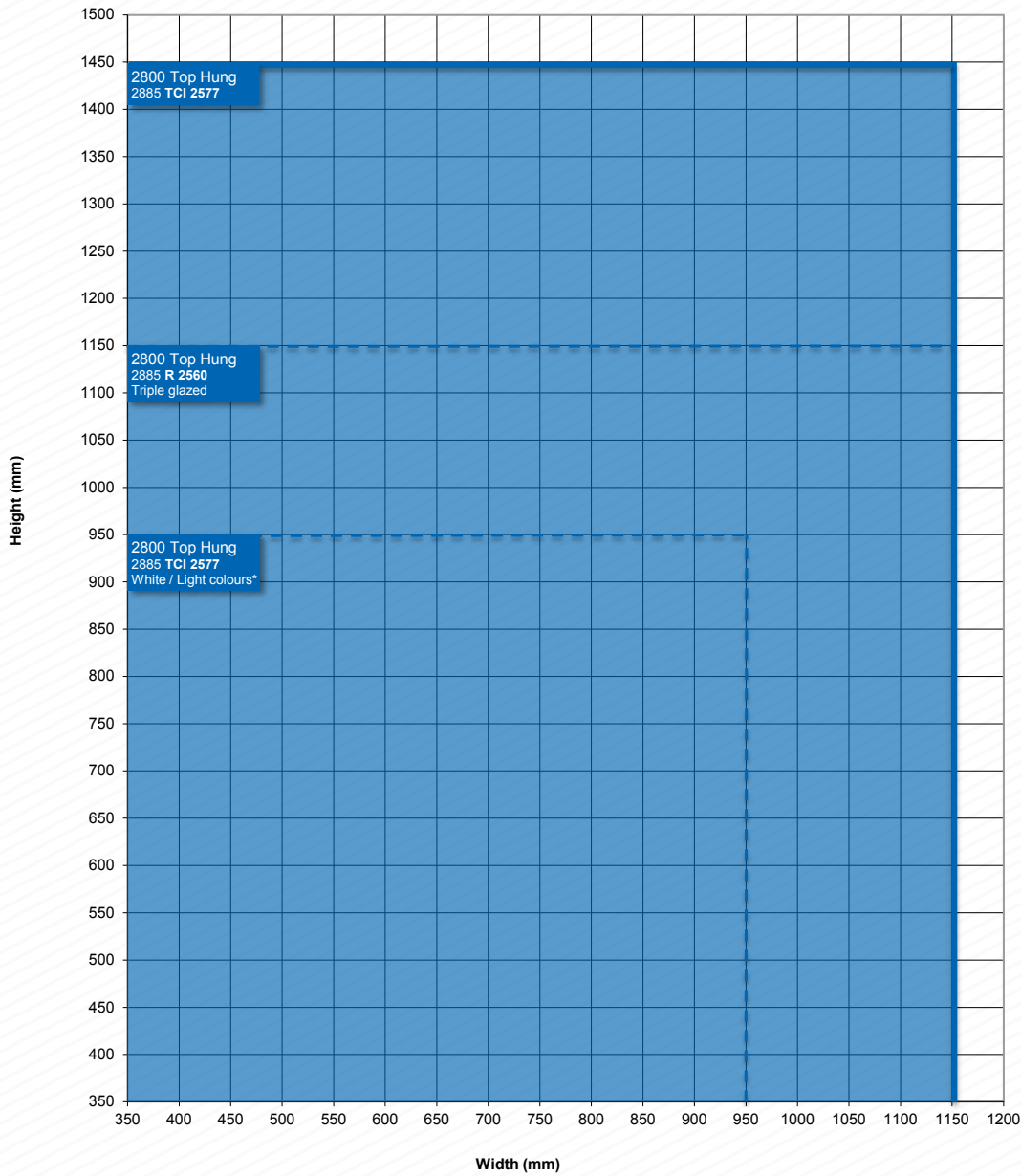
- product selection and application
- technical review to confirm compliance with Building Regulations
- advice on exposure conditions
- wind load calculations
- framing construction and design solutions
- generation of scheme drawings for tendering purposes
- technical specification
- window samples for client/authority approval



HERITAGE 2800

STORM CASEMENT TOP HUNG

MAXIMUM SASH DIMENSIONS



* Profile colours where the surface temperature does not exceed 60°C;
 003 White, 004 Grey, 019 Warm White, 080 Heritage White, 081 Ice Cream, 096 Cream,
 106 Chartwell Green, 665 Agate Grey

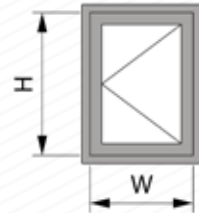
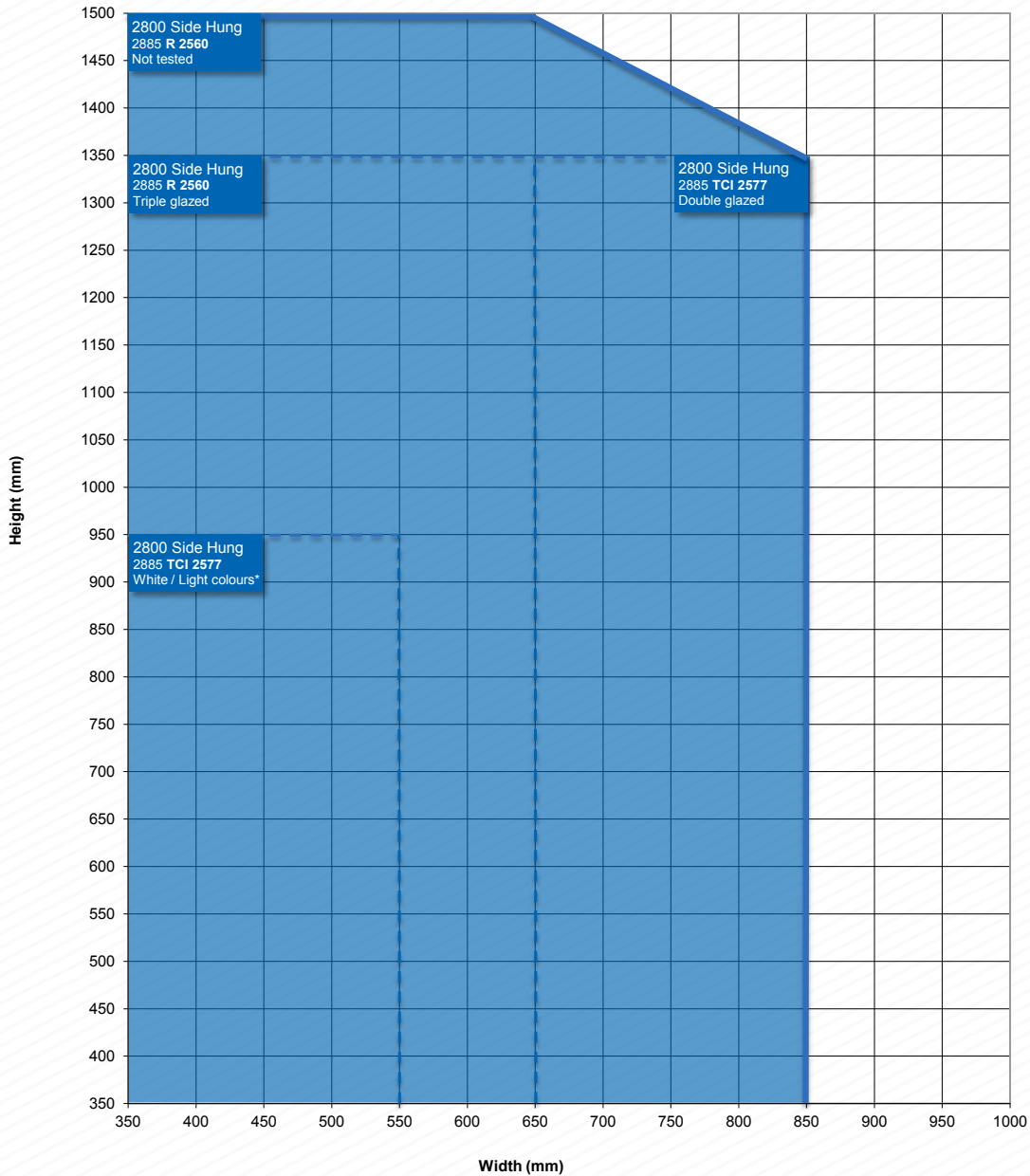
Double glazing unless stated otherwise

HERITAGE 2800

STORM CASEMENT SIDE HUNG

deceuninck

MAXIMUM SASH DIMENSIONS

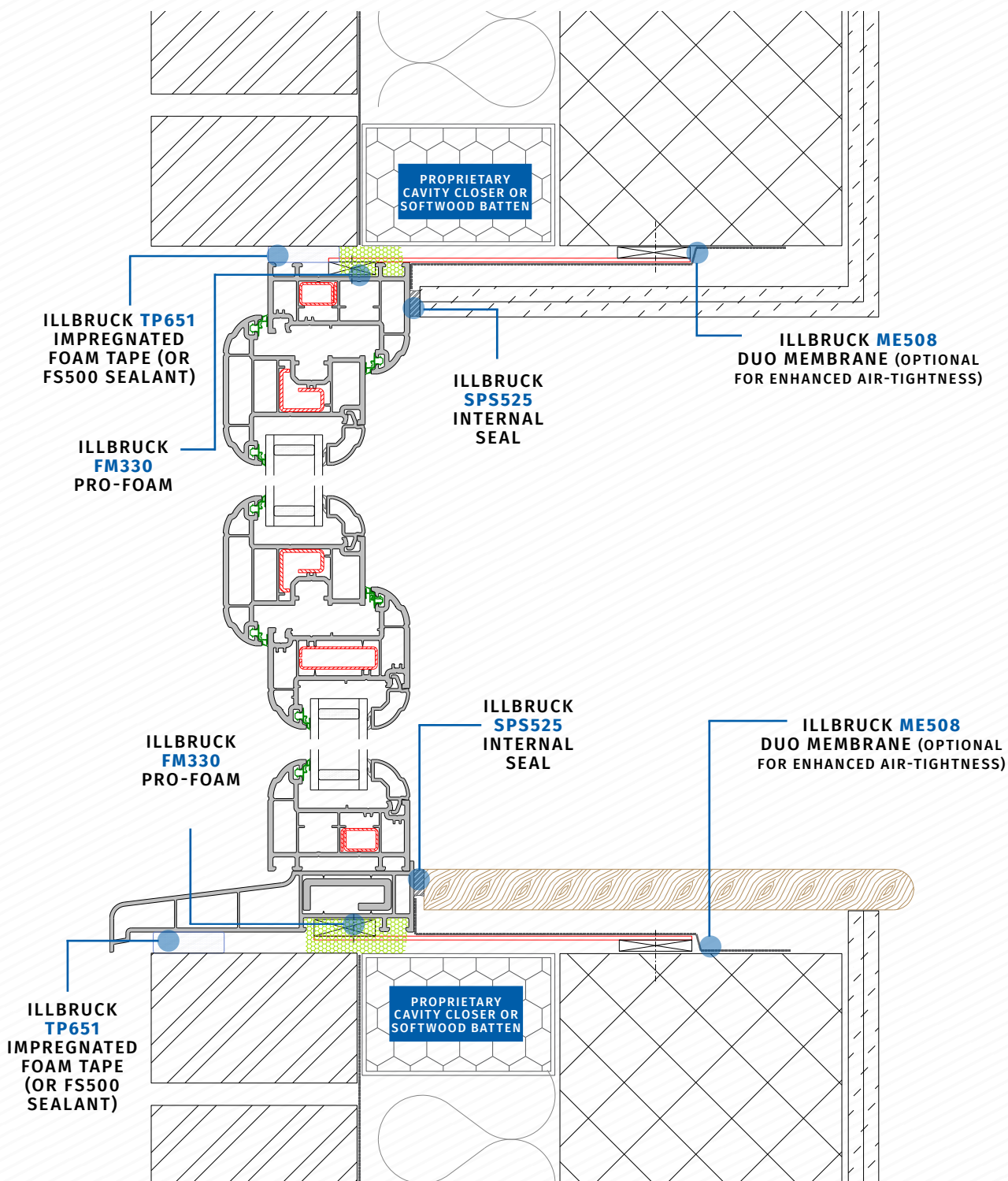


* Profile colours where the surface temperature does not exceed 60°C;
003 White, 004 Grey, 019 Warm White, 080 Heritage White, 081 Ice Cream, 096 Cream,
106 Chartwell Green, Agate Grey

Double glazing unless stated otherwise

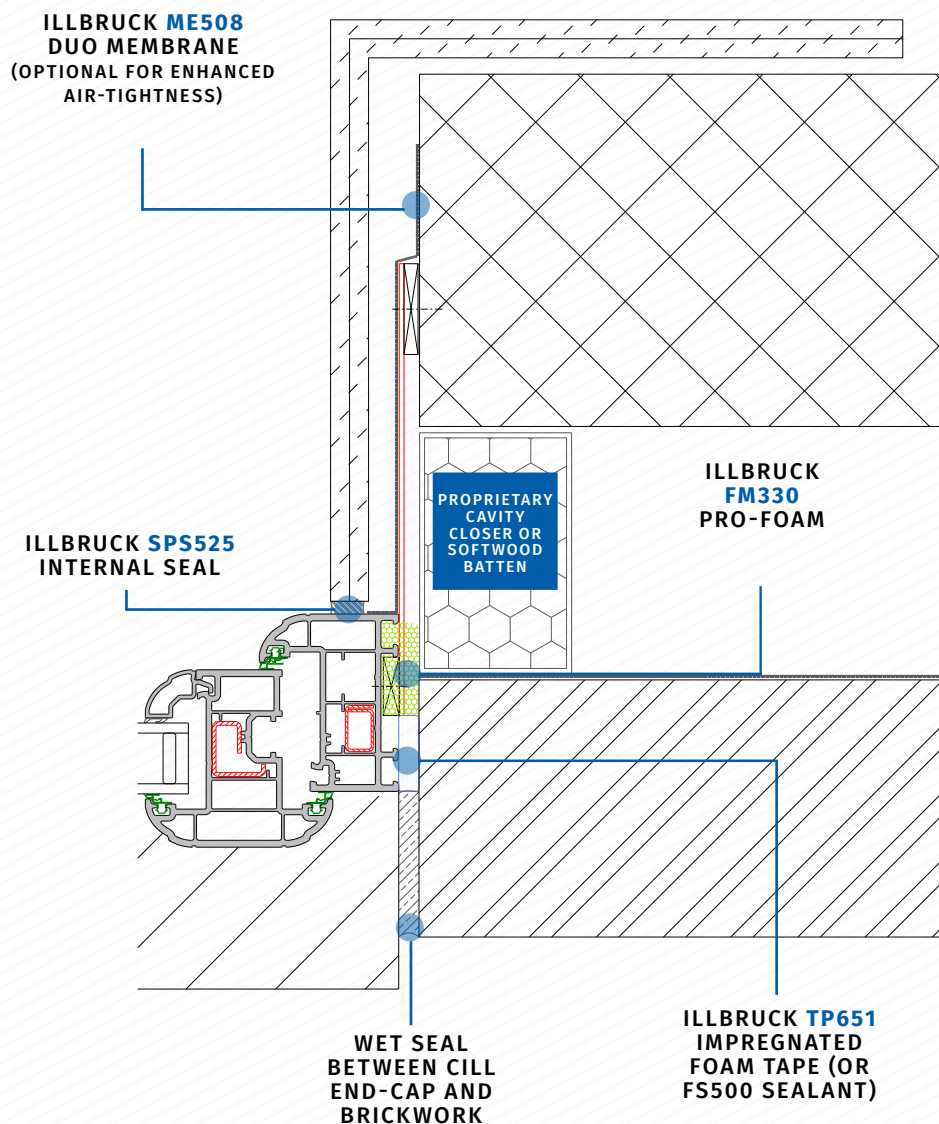
HERITAGE 2800

CASEMENT BRICK-BLOCK



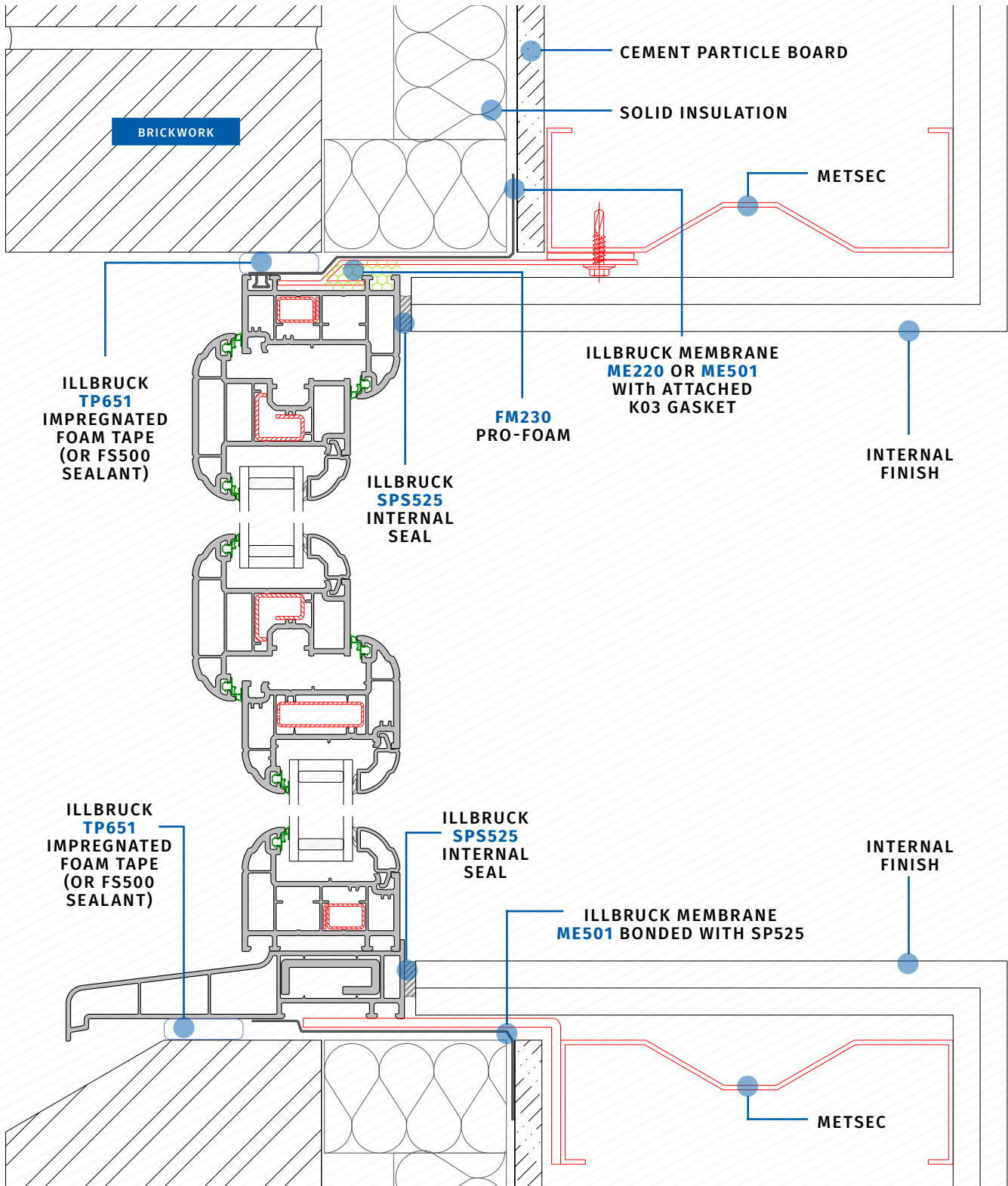
HERITAGE 2800 CASEMENT BRICK-BLOCK

deceuninck



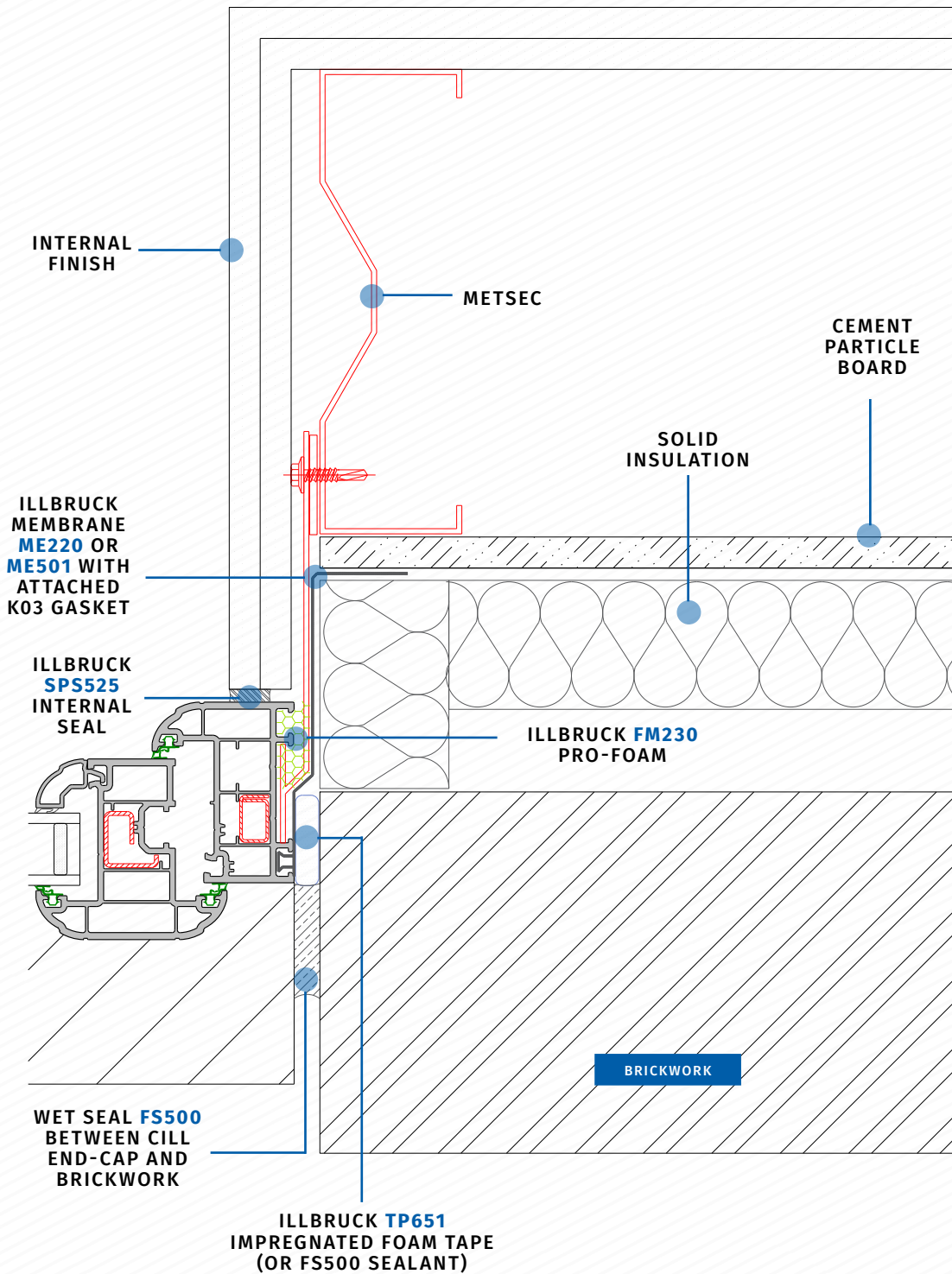
HERITAGE 2800

CASEMENT BRICK-METSEC



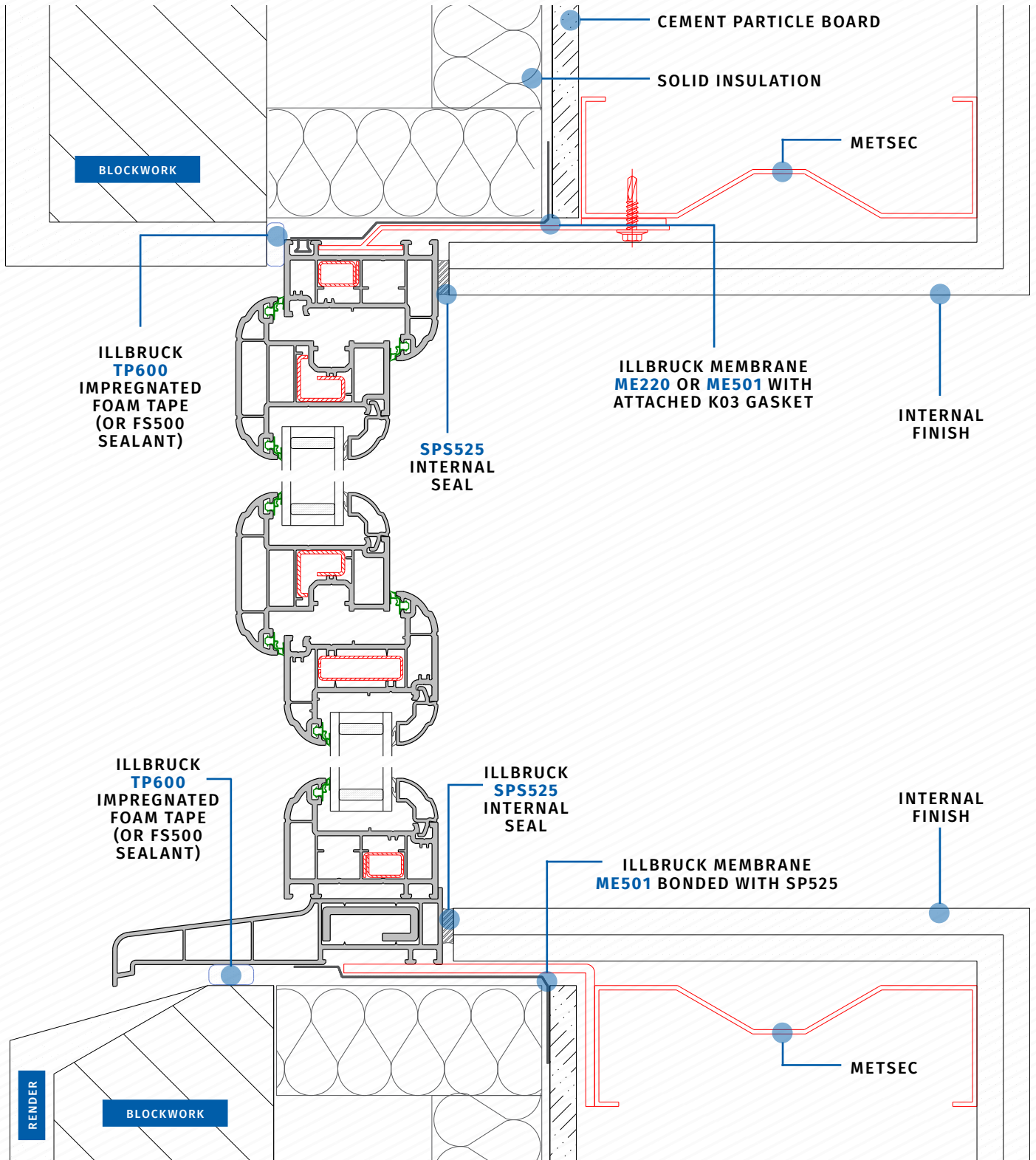
HERITAGE 2800

CASEMENT BRICK-METSEC



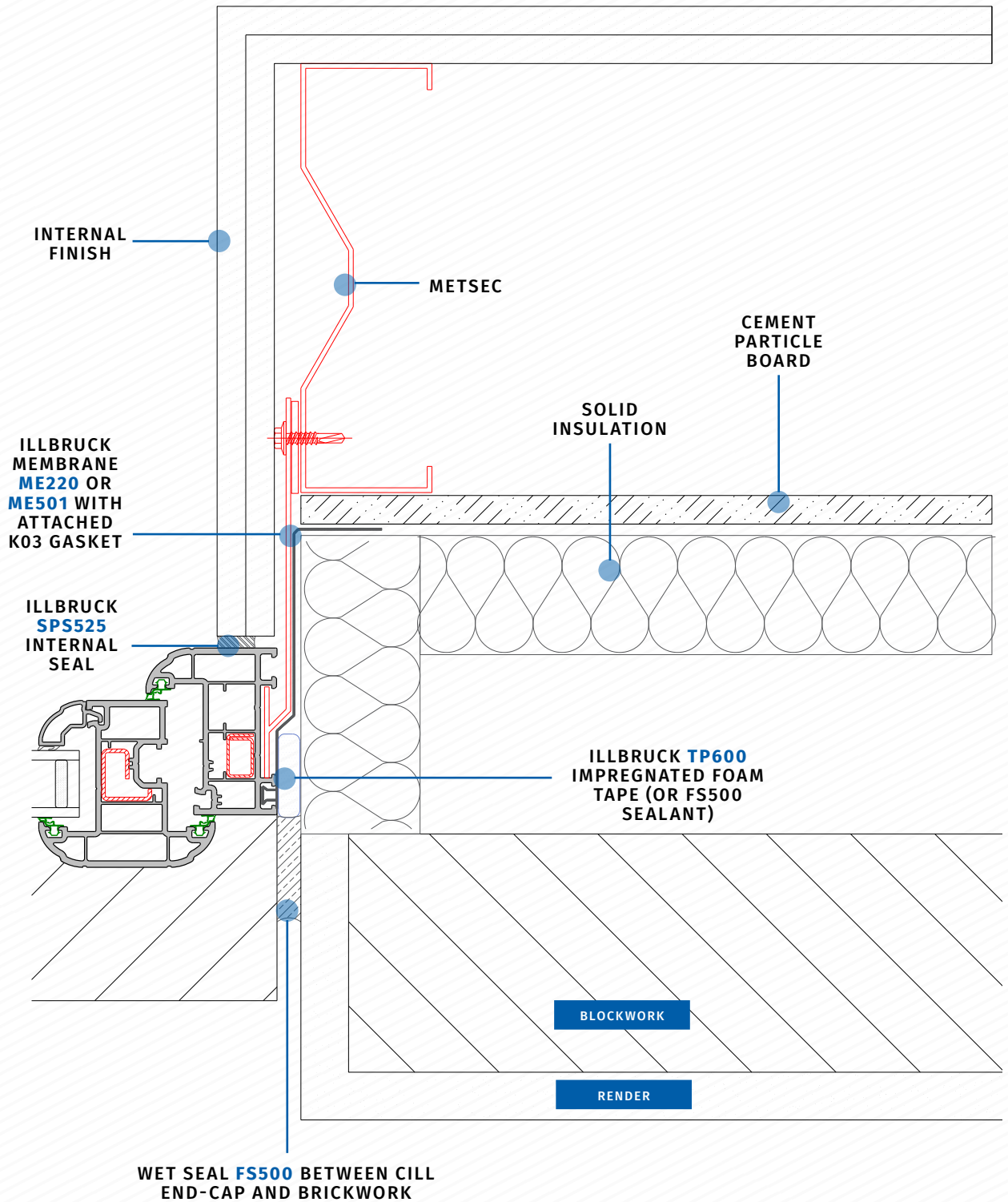
HERITAGE 2800

CASEMENT BLOCK-METSEC



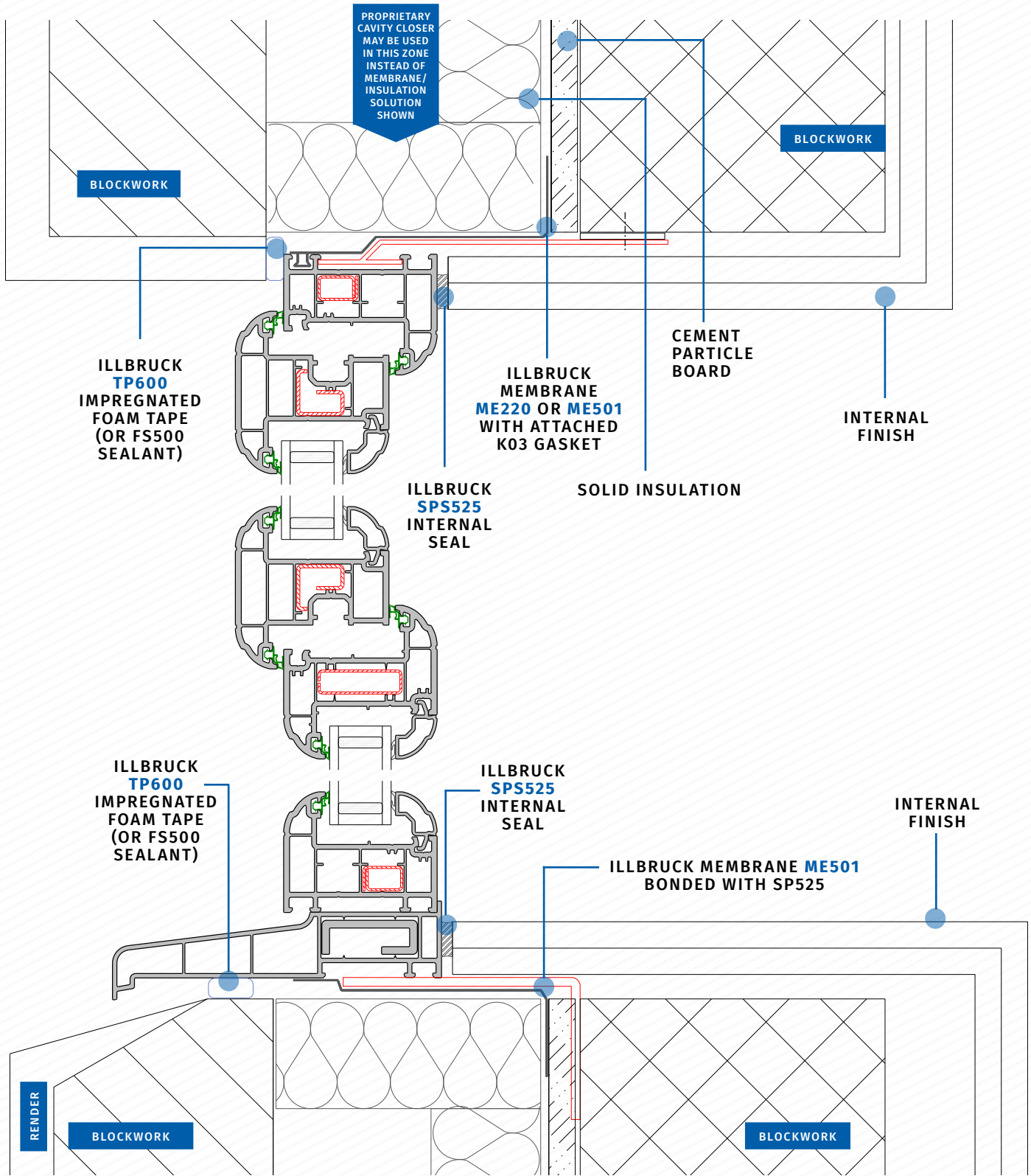
HERITAGE 2800

CASEMENT BLOCK-METSEC

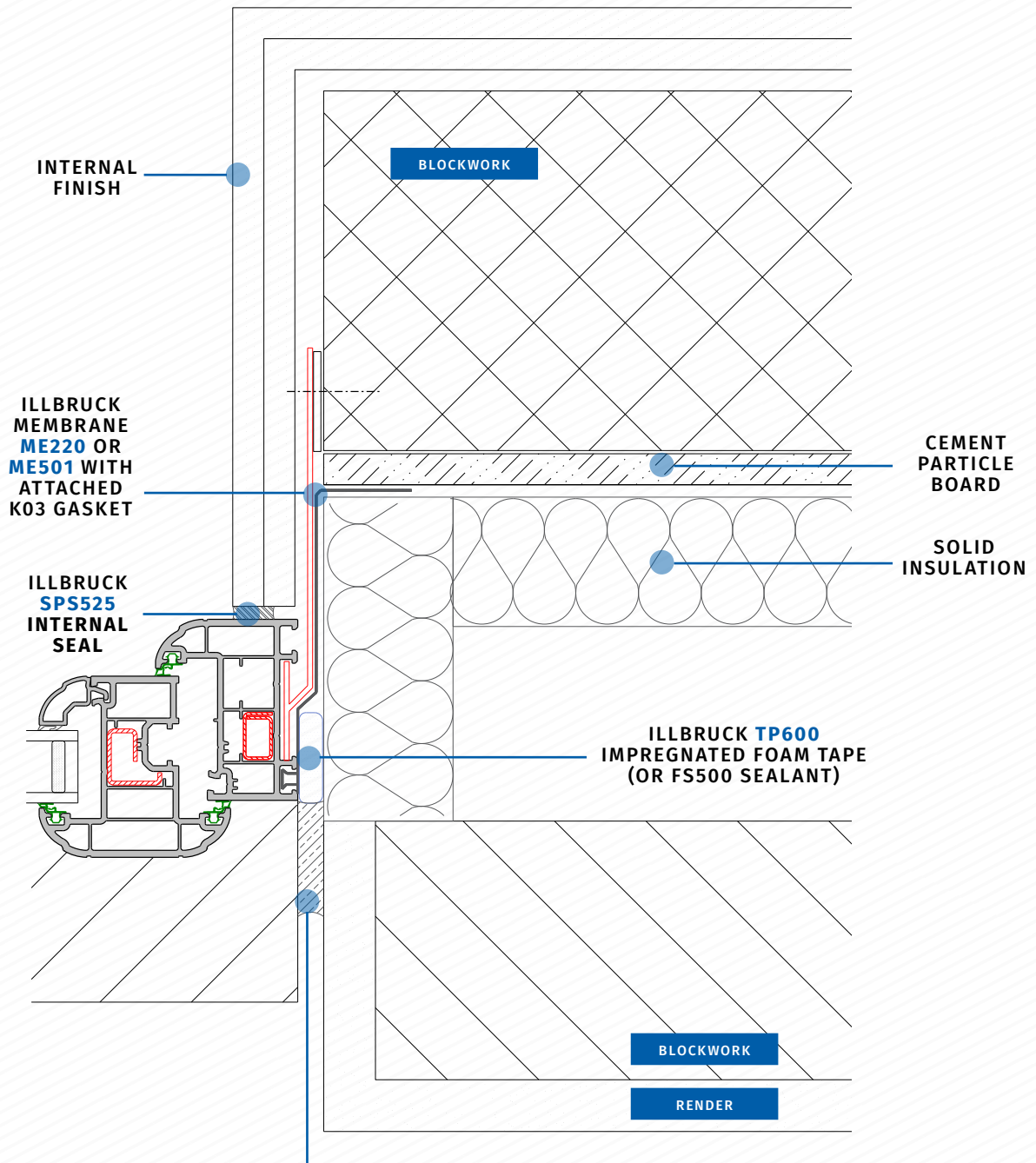


HERITAGE 2800

CASEMENT BLOCK-BLOCK



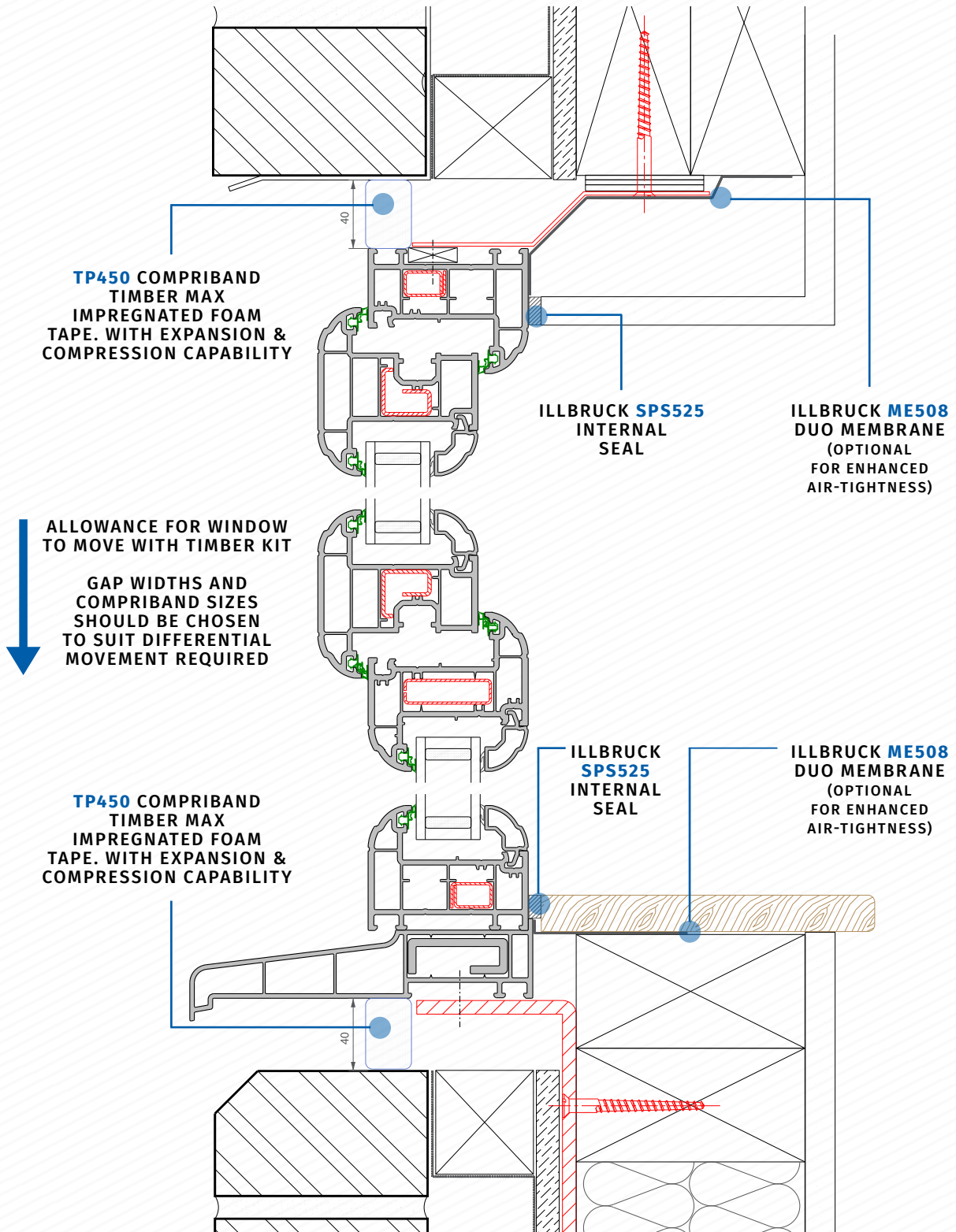
HERITAGE 2800 CASEMENT BLOCK-BLOCK



WET SEAL FS500 BETWEEN CILL
END-CAP AND BRICKWORK

HERITAGE 2800

CASEMENT TIMBER FRAME



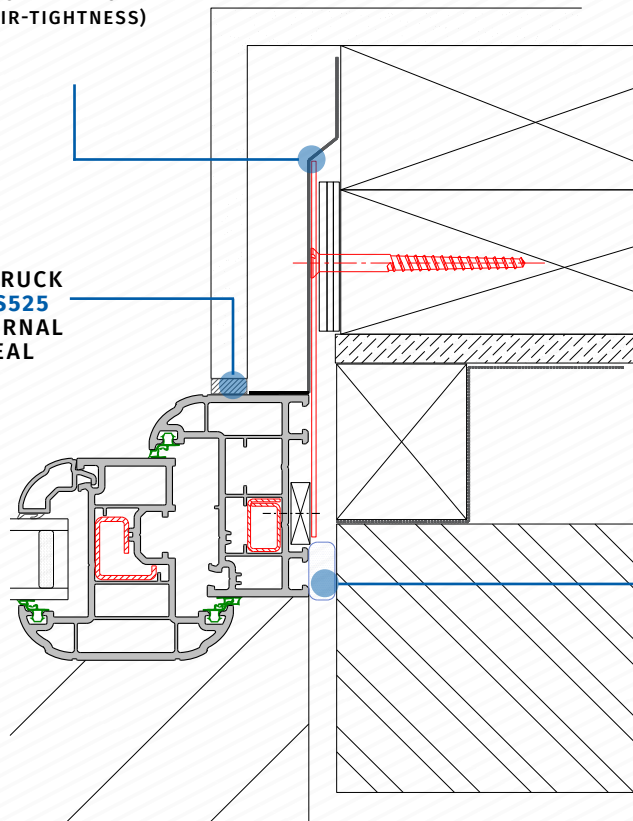
HERITAGE 2800

CASEMENT TIMBER FRAME

deceuninck

ILLBRUCK **ME508**
DUO MEMBRANE
(OPTIONAL
FOR ENHANCED
AIR-TIGHTNESS)

ILLBRUCK
SPS525
INTERNAL
SEAL



COMPRIBAND **600** OR
COMPRIBAND **E** TIMBER
MAX IMPREGNATED
FOAM TAPE
(TO BE BETWEEN TWO FLAT
PARALLEL SURFACES)

HERITAGE 2800

FLUSH CASEMENT INTERNALLY GLAZED

FRAMING

- choice of three outer frame sizes (55mm, 70mm, 85mm)
- choice of three transom/mullion sizes (70mm, 85mm, 110mm)

SEALS/GASKETS

- main profiles supplied with high-performance integral multifunctional seal/gasket

REINFORCING

- galvanised steel profiles optimised for strength and rigidity
- optional thermal chamber insulator (TCI) for enhanced thermal performance and screw retention

WINDOW STYLES

- top hung and side hung frames
- multilights combining opening/dummy sashes

FABRICATION

- fully welded or mechanically joined frame and sash
- welded or mechanically joined transom/mullion

GLAZING

- glazing options from 3mm up to 40mm thickness
- Georgian bar

ANCILLARIES

- frame extensions and cills
- lightweight and structural coupling members

HARDWARE

- 17.5mm cavity depth
- 13mm s/h hinge
- 19mm frame rebate height

SECURITY

- Kitemarked approved to PAS 24 enhanced security standard

THERMAL INSULATION

- U_w 0.90 W/m²k
- WER C to A++

DESIGN

- symmetrical profile concept for balanced aesthetics
- complements classical and contemporary architecture
- white colour RAL 9016
- many foil colour options available from stock
- Decoroc® colours and more foils on request

SIZE LIMITATION AND PERFORMANCE CHARACTERISTICS HERITAGE 2800 PVC-U WINDOW SYSTEM

WINDOW TYPE	LENGTH (MM) - MAXIMUM	HEIGHT (MM) - MAXIMUM	PERIMETER (MM) - MAXIMUM	TRANSOM/MULLION LENGTH (MM) INC. FRAME - MAXIMUM	AIR PERMEABILITY CLASSIFICATION	WATER TIGHTNESS CLASSIFICATION	RESISTANCE TO WIND CLASSIFICATION	EXPOSURE CATEGORY AS GIVEN IN TABLE 1 OF BS 6375-1
-------------	-----------------------	-----------------------	--------------------------	--	---------------------------------	--------------------------------	-----------------------------------	--

SASH DIMENSIONS FOR WINDOWS WITH APPROVED SASH PROFILES:

FLUSH SASH TOP HUNG (TCI)	1160	1160	-	-	4	E900	A4	1600
FLUSH SASH TOP HUNG (STEEL)							AE	2400
FLUSH SASH SIDE HUNG (TCI)	640	1230	-	-	4	E900	A4	1600
FLUSH SASH SIDE HUNG (STEEL)							AE	2400

OVERALL DIMENSIONS FOR WINDOWS WITH APPROVED OUTER FRAME PROFILES:

FIXED	3000	3000	8000	-	4	9A	A5	2000
-------	------	------	------	---	---	----	----	------

OVERALL DIMENSIONS FOR APPROVED OUTER FRAMES AND TRANSOM/MULLION PROFILES:

MULTI-LIGHT - STEEL TRANSOM/MULLION REINFORCEMENT	2400	2400	7600	1400	4	9A	A5	2000
---	------	------	------	------	---	----	----	------

HERITAGE 2800

deceuninck

FLUSH CASEMENT VERTICAL SECTION



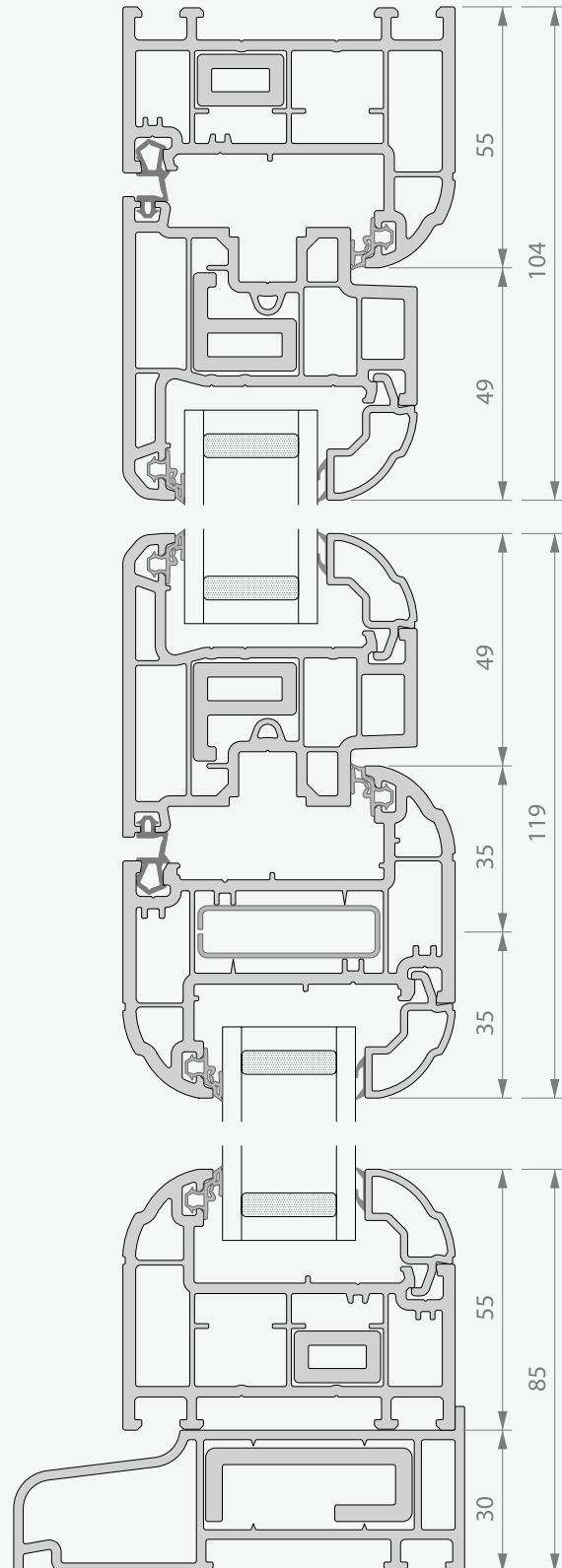
TECHNICAL AND SPECIFICATION SUPPORT

Specification Support forms an essential link between architects, specifiers and approved Deceuninck fabricators and installers. The team provide informed guidance on the use of products, samples, drawings and specifications with contact maintained throughout each stage of a contract to completion.

Deceuninck can offer a technical design service for suitable schemes embracing:



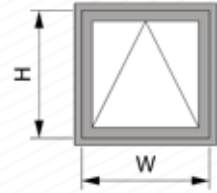
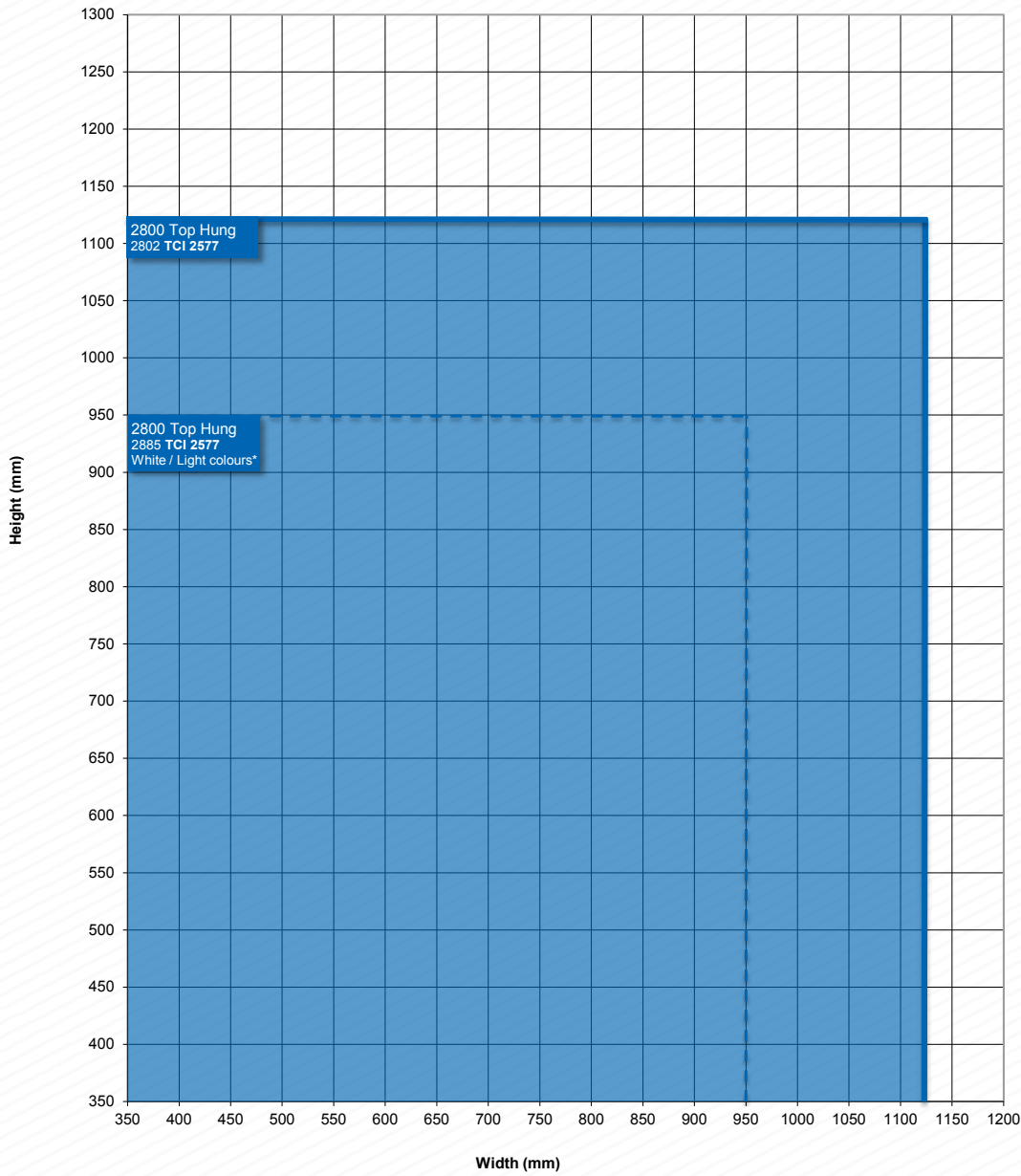
- product selection and application
- technical review to confirm compliance with Building Regulations
- advice on exposure conditions
- wind load calculations
- framing construction and design solutions
- generation of scheme drawings for tendering purposes
- technical specification
- window samples for client/authority approval



HERITAGE 2800

FLUSH CASEMENT TOP HUNG

MAXIMUM SASH DIMENSIONS



* Profile colours where the surface temperature does not exceed 60°C;
 003 White, 004 Grey, 019 Warm White, 080 Heritage White, 081 Ice Cream, 096 Cream,
 106 Chartwell Green, 665 Agate Grey

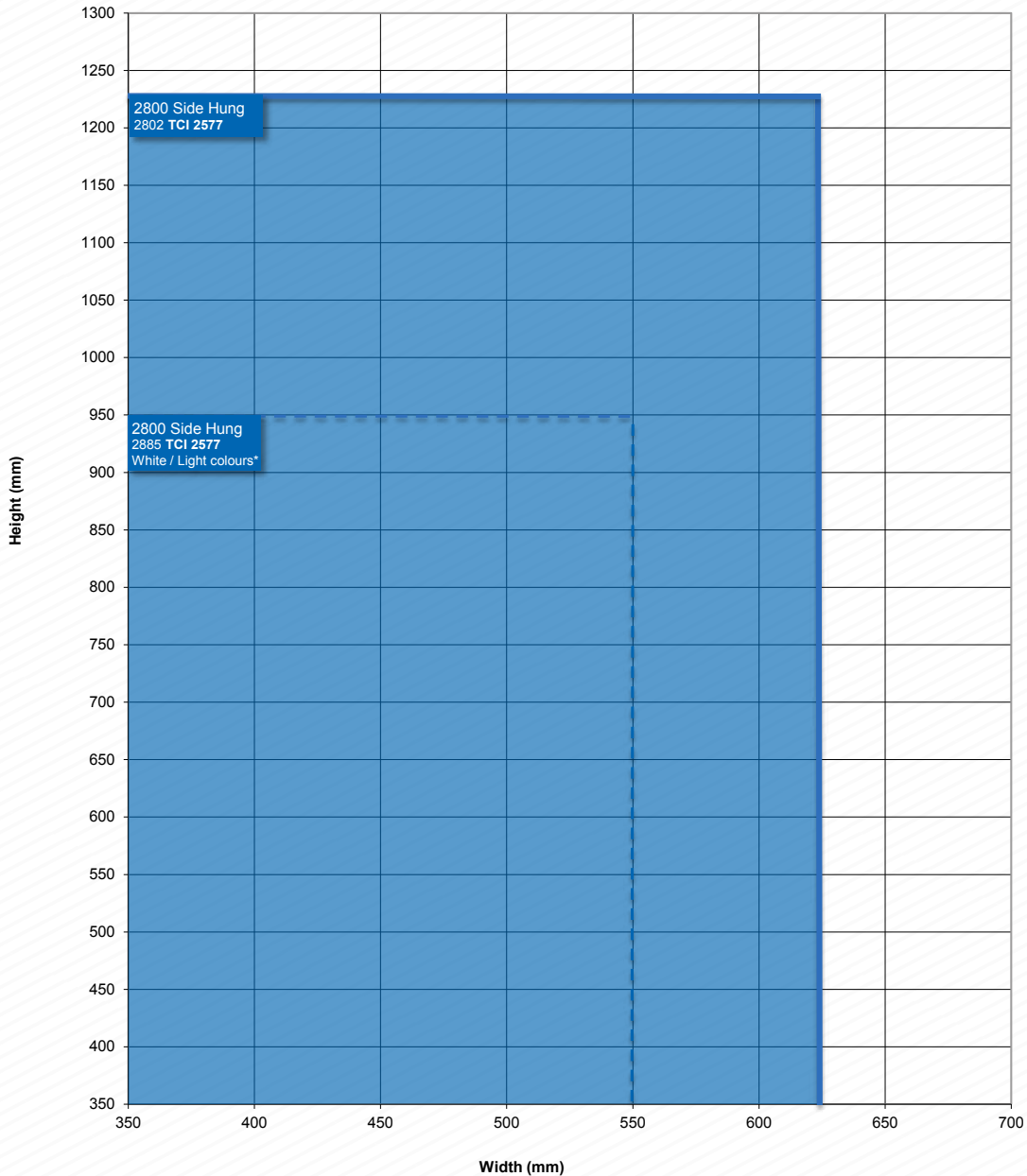
Double glazing unless stated otherwise

HERITAGE 2800

FLUSH CASEMENT SIDE HUNG

deceuninck

MAXIMUM SASH DIMENSIONS



* Profile colours where the surface temperature does not exceed 60°C;
 003 White, 004 Grey, 019 Warm White, 080 Heritage White, 081 Ice Cream, 096 Cream,
 106 Chartwell Green, 665 Agate Grey

Double glazing unless stated otherwise

HERITAGE 2800

TILT AND TURN

FRAMING

- choice of three outer frame sizes (55mm, 70mm, 85mm)
- choice of three transom/mullion sizes (70mm, 85mm, 110mm)
- standard (85mm) and heavy duty (110mm) sash options

SEALS/GASKETS

- main profiles supplied with high-performance integral multifunctional seal/gasket

REINFORCING

- galvanised steel profiles optimised for strength and rigidity
- optional thermal chamber insulator (TCI) for enhanced thermal performance and screw retention

WINDOW STYLES

- single, multi-light or coupled
- turn only, tilt only, tilt before turn

FABRICATION

- fully welded construction
- mechanically joined transoms/mullions

GLAZING

- glazing options from 3mm up to 40mm thickness
- Georgian bar

ANCILLARIES

- frame extensions and cills
- lightweight and structural coupling members

HARDWARE

- 18.5mm cavity depth
- 8mm sash cover
- 19mm rebate height

SECURITY

- Kitemarked approved to PAS 24 enhanced security standard

THERMAL INSULATION

- U_w 0.97 W/m²k
- WER C to A+

ACOUSTIC PERFORMANCE

- R_w (C ; Ctr) 35 (-2 ; -5) dB
- R_w (C ; Ctr) 38 (-1 ; -4) dB

DESIGN

- symmetrical profile concept for balanced aesthetics
- complements classical and contemporary architecture
- white colour RAL 9016
- many foil colour options available from stock
- Decoroc® colours and more foils on request

SIZE LIMITATION AND PERFORMANCE CHARACTERISTICS

WINDOW TYPE	LENGTH (MM) - MAXIMUM	HEIGHT (MM) - MAXIMUM	PERIMETER (MM) - MAXIMUM	TRANSOM/MULLION LENGTH (MM) INC. FRAME - MAXIMUM	AIR PERMEABILITY CLASSIFICATION	WATER TIGHTNESS CLASSIFICATION	RESISTANCE TO WIND CLASSIFICATION	EXPOSURE CATEGORY AS GIVEN IN TABLE 1 OF BS 6375-1
-------------	--------------------------	--------------------------	-----------------------------	--	------------------------------------	-----------------------------------	---	--

SASH DIMENSIONS FOR WINDOWS WITH APPROVED SASH PROFILES:

TILT AND TURN	1500	1500	-	-	4	8A	A5	2000
---------------	------	------	---	---	---	----	----	------

OVERALL DIMENSIONS FOR WINDOWS WITH APPROVED OUTER FRAME PROFILES:

FIXED	3000	3000	8000	-	4	9A	A5	2000
-------	------	------	------	---	---	----	----	------

OVERALL DIMENSIONS FOR APPROVED OUTERFRAMES AND TRANSOM/MULLION PROFILES:

MULTI-LIGHT - STEEL TRANSOM/MULLION REINFORCEMENT	2400	2400	7600	1400	4	9A	A5	2000
---	------	------	------	------	---	----	----	------

HERITAGE 2800

TILT AND TURN VERTICAL SECTION

deceuninck

nbsPlus

riba
product
selector

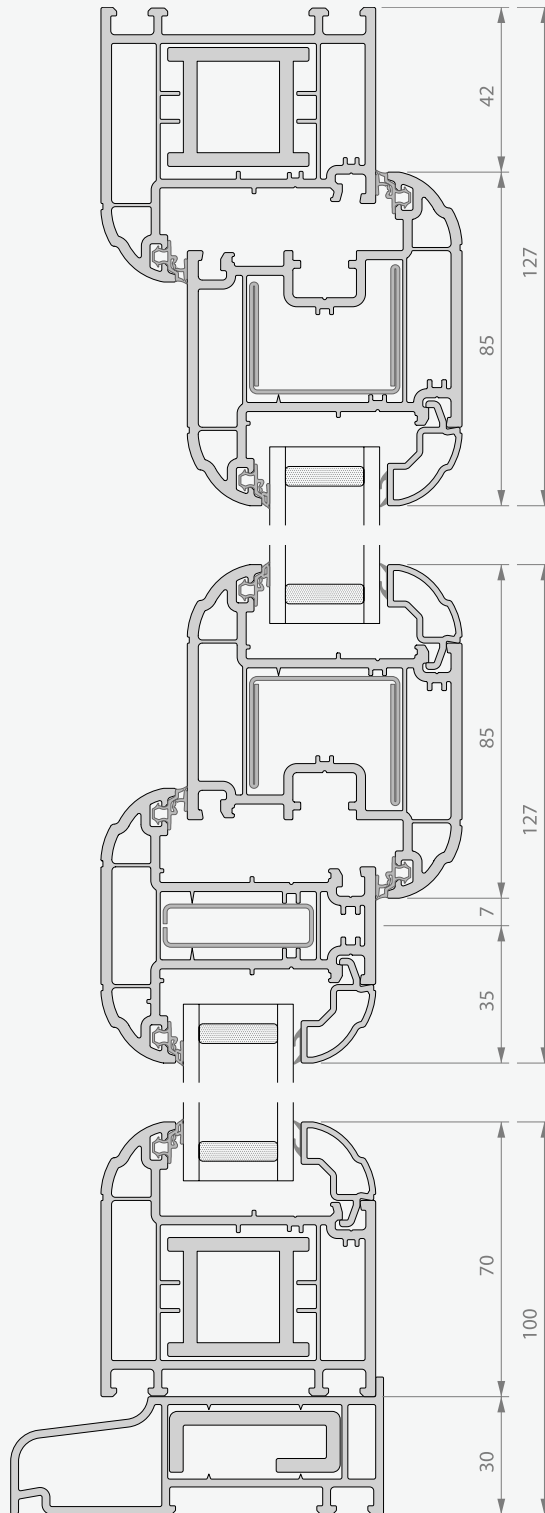
nbs
BIM

TECHNICAL AND SPECIFICATION SUPPORT

Specification Support forms an essential link between architects, specifiers and approved Deceuninck fabricators and installers. The team provide informed guidance on the use of products, samples, drawings and specifications with contact maintained throughout each stage of a contract to completion.

Deceuninck can offer a technical design service for suitable schemes embracing:

- product selection and application
- technical review to confirm compliance with Building Regulations
- advice on exposure conditions
- wind load calculations
- framing construction and design solutions
- generation of scheme drawings for tendering purposes
- technical specification
- window samples for client/authority approval



HERITAGE 2800

TILT AND TURN

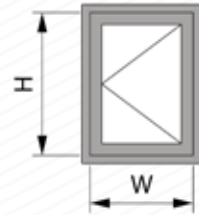
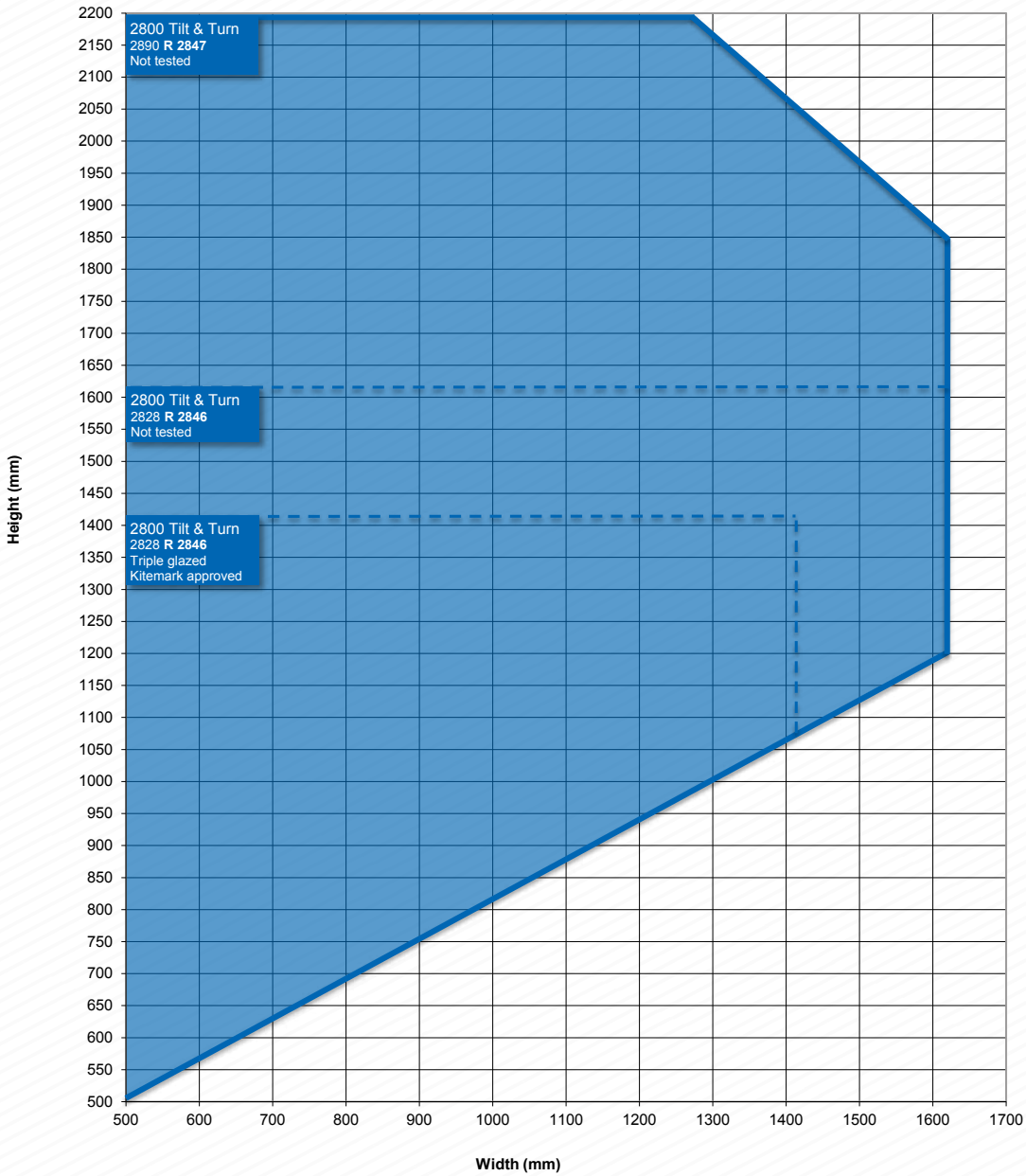


HERITAGE 2800

TILT AND TURN WINDOW



MAXIMUM SASH DIMENSIONS



HERITAGE 2800

RESIDENTIAL DOOR

FRAMING

- choice of three outer frame sizes (55mm, 70mm, 85mm)
- choice of three transom/mullion sizes (70mm, 85mm, 110mm)
- Part M compliant low threshold

SEALS/GASKETS

- main profiles supplied with high-performance integral multifunctional seal/gasket

REINFORCING

- galvanised steel profiles optimised for strength and rigidity
- optional thermal chamber insulator (TCI) for enhanced thermal performance and screw retention, frame only

DOOR STYLES

- single doors; open in/out
- fan lights and side-light frames
- midrail for letter plates

FABRICATION

- fully welded construction
- mechanically joined transoms/mullions

GLAZING

- glazing options from 3mm up to 40mm thickness
- Georgian bar

ANCILLARIES

- frame extensions and cills
- lightweight and structural coupling members

HARDWARE

- 18.5mm cavity depth
- 8mm sash cover
- 19mm rebate height

SECURITY

- Kitemarked approved to PAS 24 enhanced security standard

THERMAL INSULATION

- Ud 0.94 W/m²k
- DSER E to A+

DESIGN

- complements classical and contemporary architecture
- personalise with glazing bead options
- white colour RAL 9016
- many foil colour options available from stock
- Decoroc® colours and more foils on request

SIZE LIMITATION AND PERFORMANCE CHARACTERISTICS

HERITAGE 2800 PVC-U DOOR SYSTEM

DOOR TYPE	LENGTH (MM) - MAXIMUM	HEIGHT (MM) - MAXIMUM	AIR PERMEABILITY CLASSIFICATION	WATER TIGHTNESS CLASSIFICATION	RESISTANCE TO WIND CLASSIFICATION	EXPOSURE CATEGORY AS GIVEN IN TABLE 1 OF BS 6375-1
-----------	--------------------------	--------------------------	------------------------------------	-----------------------------------	---	--

SASH DIMENSIONS FOR DOORS WITH APPROVED OUTER FRAME AND SASH PROFILES

OPEN IN SINGLE LEAF WITH LOW THRESHOLD	905	2090	4	3A	A3	1200
COUPLED SIDE PANEL	1100	2145	4	3A	A3	1200

HERITAGE 2800 RESIDENTIAL DOOR

deceuninck

nbsPlus

riba
product
selector

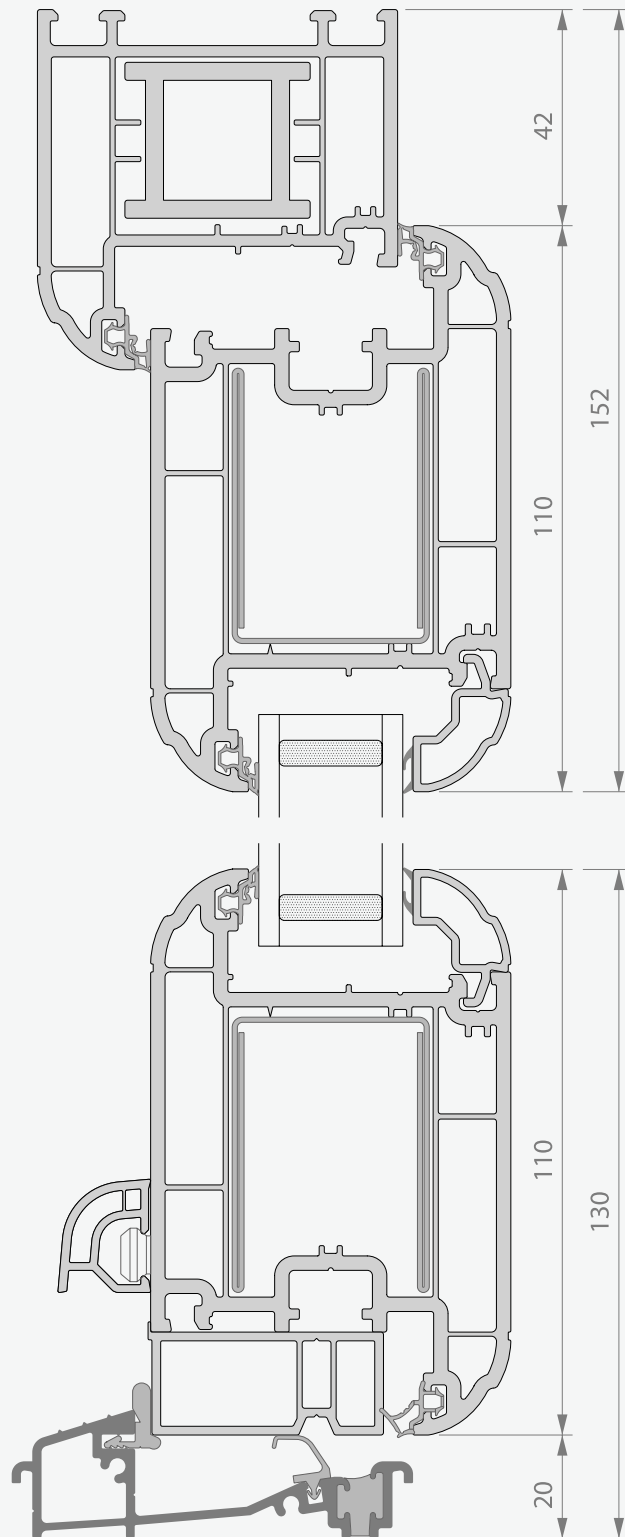
nbs
BIM

TECHNICAL AND SPECIFICATION SUPPORT

Specification Support forms an essential link between architects, specifiers and approved Deceuninck fabricators and installers. The team provide informed guidance on the use of products, samples, drawings and specifications with contact maintained throughout each stage of a contract to completion.

Deceuninck can offer a technical design service for suitable schemes embracing:

- product selection and application
- technical review to confirm compliance with Building Regulations
- advice on exposure conditions
- wind load calculations
- framing construction and design solutions
- generation of scheme drawings for tendering purposes
- technical specification
- window samples for client/authority approval



deceuninck

HERITAGE 2800
RESIDENTIAL DOOR

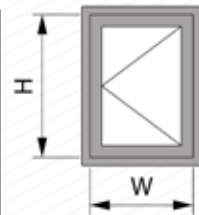
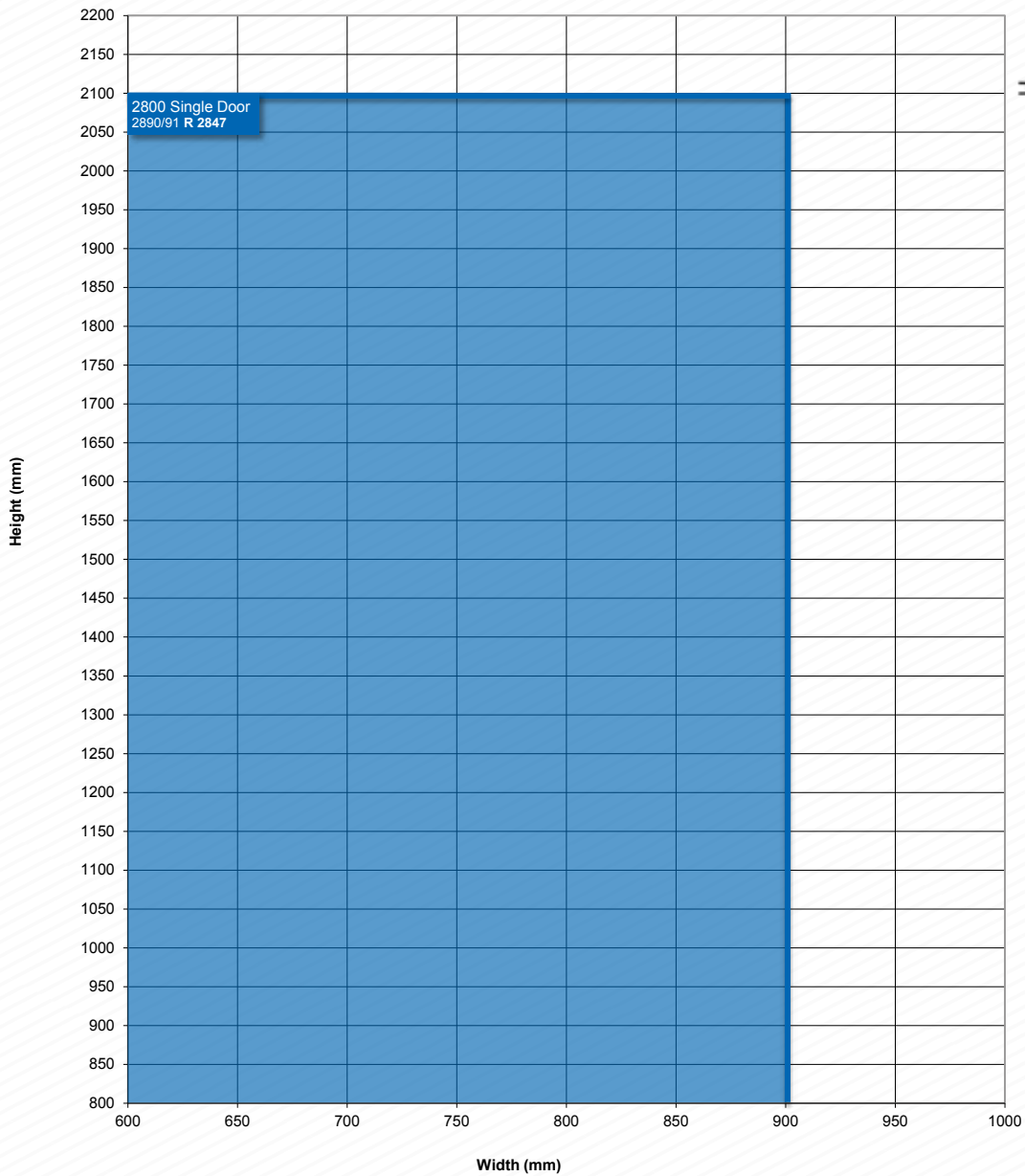
2800
RESIDENTIAL
DOOR



HERITAGE 2800 RESIDENTIAL DOOR

deceuninck

MAXIMUM SASH DIMENSIONS



HERITAGE 2800

COMPOSITE DOOR

FRAMING

- 70mm frame as standard
- choice of three transom/mullion sizes (70mm, 85mm, 110mm)
- Part M compliant low threshold

SEALS/GASKETS

- frame supplied with bespoke high performance integral multi-functional seal/gasket

REINFORCING

- galvanised steel profiles optimised for strength and rigidity
- optional thermal chamber insulator (TCI) for enhanced thermal performance and screw retention, frame only

DOOR STYLES

- open in single doors
- fan lights and side-light frames

FABRICATION

- fully welded construction
- mechanically joined transoms/mullions

ANCILLARIES

- frame extensions and cills
- lightweight and structural coupling members
- weather bar

HARDWARE

- classic or contemporary furniture
- high or standard height key/handle
- multi-point locking systems

SECURITY

- Kitemarked approved to PAS 24 enhanced security standard

THERMAL INSULATION

- Ud 1.0 W/m²k
- DSER E to A

DESIGN

- multiple slab designs
- complements classical and contemporary architecture
- personalise using an array of glazing styles, slab colours and designs and door furniture

SIZE LIMITATION AND PERFORMANCE CHARACTERISTICS

HERITAGE 2800 PVC-U DOOR SYSTEM

DOOR TYPE	LENGTH (MM) - MAXIMUM	HEIGHT (MM) - MAXIMUM	AIR PERMEABILITY CLASSIFICATION	WATER TIGHTNESS CLASSIFICATION	RESISTANCE TO WIND CLASSIFICATION	EXPOSURE CATEGORY AS GIVEN IN TABLE 1 OF BS 6375-1
-----------	--------------------------	--------------------------	------------------------------------	-----------------------------------	---	--

FRAME DIMENSIONS FOR DOORS WITH APPROVED OUTER FRAME PROFILES

OPEN IN SINGLE LEAF WITH LOW THRESHOLD	1025	2080	4	4A	A3	1200
---	------	------	---	----	----	------

HERITAGE 2800 COMPOSITE DOOR

deceuninck

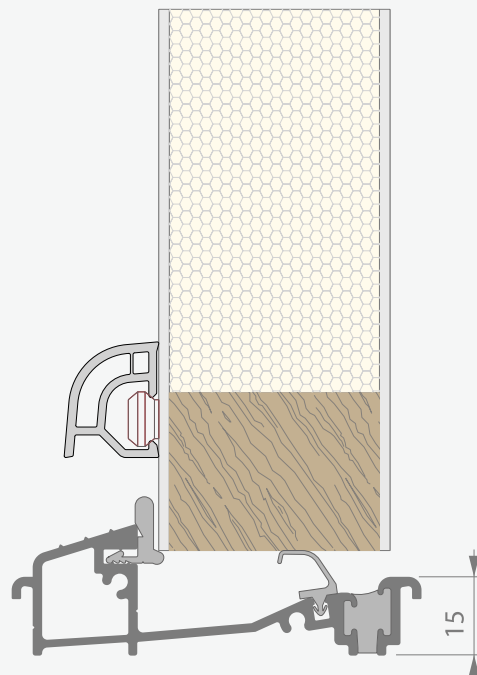
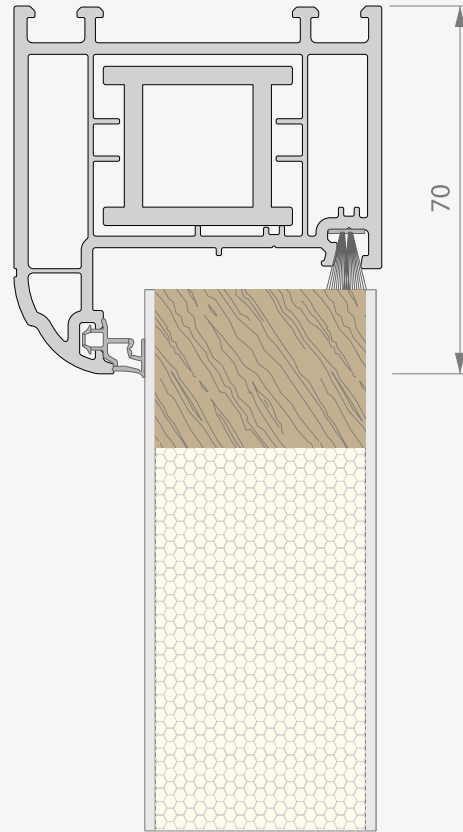
NS Plus

riba
product
selector

TECHNICAL AND SPECIFICATION SUPPORT

Specification Support forms an essential link between architects, specifiers and approved Deceuninck fabricators and installers. The team provide informed guidance on the use of products, samples, drawings and specifications with contact maintained throughout each stage of a contract to completion.

Deceuninck can offer a technical design service for suitable schemes embracing:



- product selection and application
- technical review to confirm compliance with Building Regulations
- advice on exposure conditions
- wind load calculations
- framing construction and design solutions
- generation of scheme drawings for tendering purposes
- technical specification
- window samples for client/authority approval

deceuninck

HERITAGE 2800 COMPOSITE DOOR

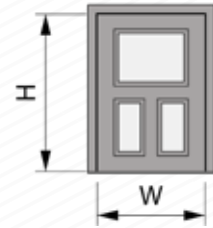
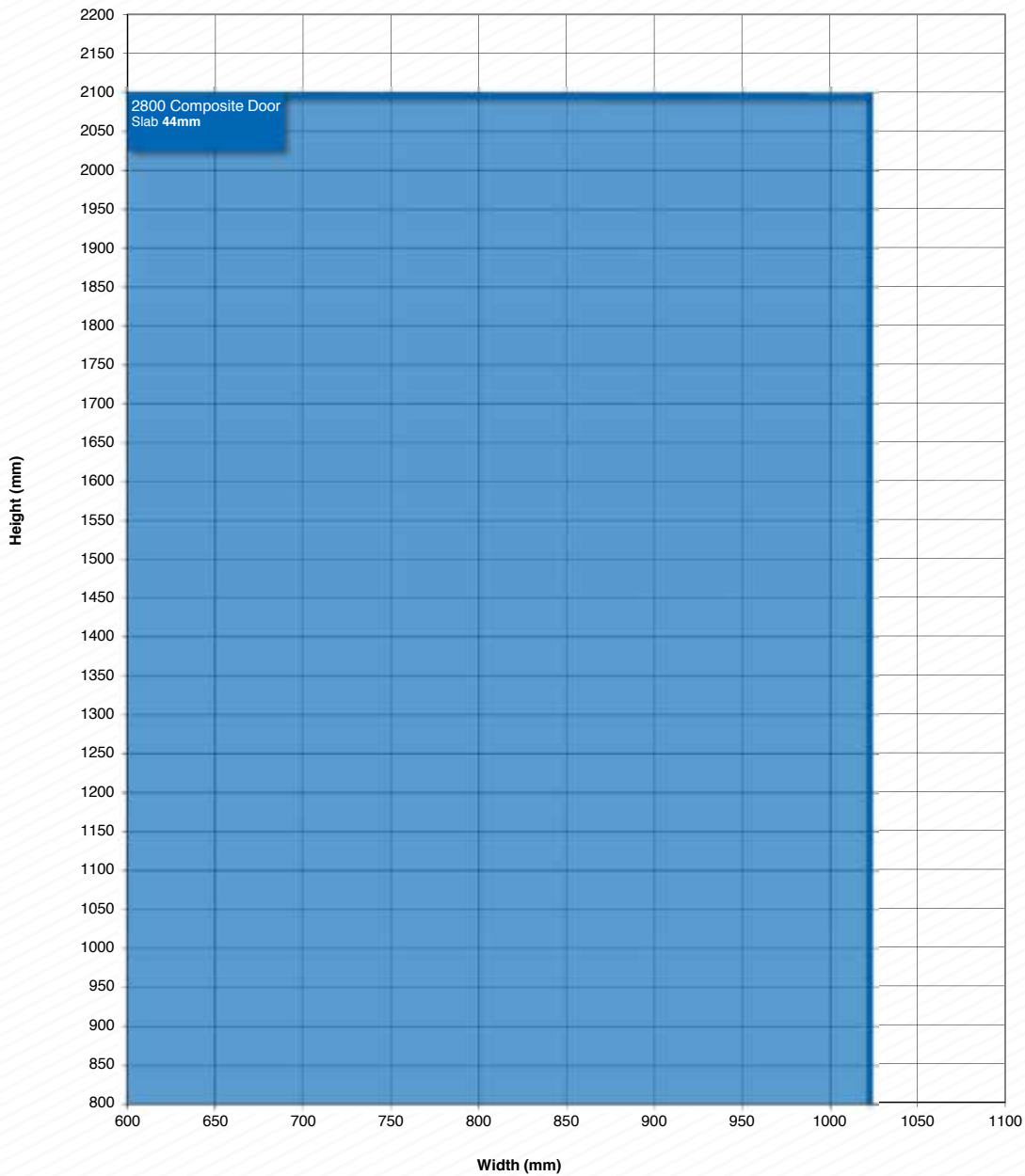
2800
COMPOSITE
DOOR



HERITAGE 2800 COMPOSITE DOOR

deceuninck

MAXIMUM FRAME DIMENSIONS



HERITAGE 2800

FRENCH DOOR

FRAMING

- choice of three outer frame sizes (55mm, 70mm, 85mm)
- choice of three transom/mullion sizes (70mm, 85mm, 110mm)
- Part M compliant low threshold

SEALS/GASKETS

- main profiles supplied with high-performance integral multifunctional seal/gasket

REINFORCING

- galvanised steel profiles optimised for strength and rigidity
- optional thermal chamber insulator (TCI) for enhanced thermal performance and screw retention, frame only

DOOR STYLES

- open in open-out
- fan lights and side-light frames

FABRICATION

- fully welded construction
- mechanically joined transoms/mullions

GLAZING

- glazing options from 3mm up to 40mm thickness
- Georgian bar

ANCILLARIES

- frame extensions and cills
- lightweight and structural coupling members

HARDWARE

- 18.5mm cavity depth
- 8mm sash cover
- 19mm rebate height

SECURITY

- Kitemarked approved to PAS 24 enhanced security standard

THERMAL INSULATION

- Ud 0.97 W/m²k
- DSER E to A+

DESIGN

- complements classical and contemporary architecture
- personalise with glazing bead options
- white colour RAL 9016
- many foil colour options available from stock
- Decoroc® colours and more foils on request

SIZE LIMITATION AND PERFORMANCE CHARACTERISTICS

HERITAGE 2800 PVC-U DOOR SYSTEM

DOOR TYPE	LENGTH (MM) - MAXIMUM	HEIGHT (MM) - MAXIMUM	AIR PERMEABILITY CLASSIFICATION	WATER TIGHTNESS CLASSIFICATION	RESISTANCE TO WIND CLASSIFICATION	EXPOSURE CATEGORY AS GIVEN IN TABLE 1 OF BS 6375-1
-----------	--------------------------	--------------------------	------------------------------------	-----------------------------------	---	--

FRAME DIMENSIONS FOR DOORS WITH APPROVED OUTER FRAME AND SASH PROFILES

OPEN IN (MASTER LEAF) WITH LOW THRESHOLD	905	2090	4	3A	A3	1200
SLAVE LEAF	895	2090	4	3A	A3	1200
COUPLED SIDE PANEL	1100	2145	4	3A	A3	1200

OVERALL DIMENSIONS FOR DOORS WITH APPROVED OUTER FRAMES

DOUBLE LEAF OPEN IN	1800	2150	4	4A	A3	1200
DOUBLE LEAF OPEN OUT	1800	2150	3	6A	A3	1200

HERITAGE 2800 FRENCH DOOR

deceuninck

nbsPlus

riba
product
selector

nbs
BIM

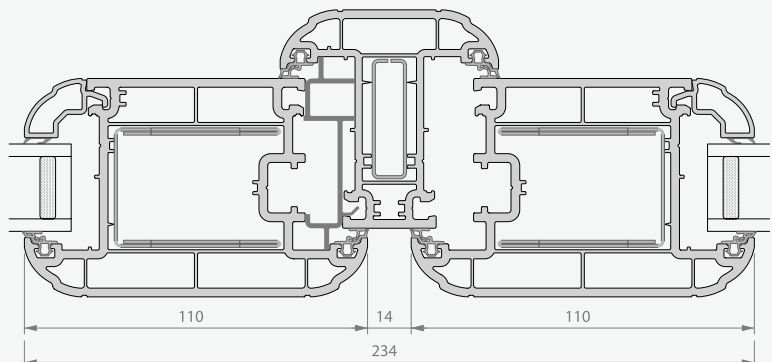
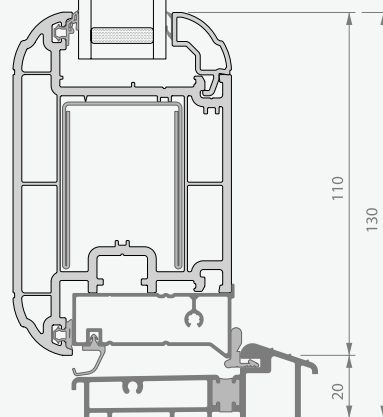
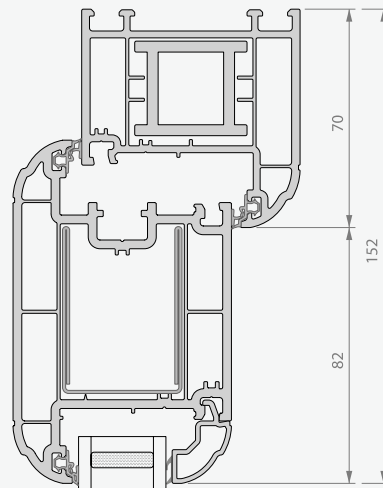
TECHNICAL AND SPECIFICATION SUPPORT

Specification Support forms an essential link between architects, specifiers and approved Deceuninck fabricators and installers. The team provide informed guidance on the use of products, samples, drawings and specifications with contact maintained throughout each stage of a contract to completion.

Deceuninck can offer a technical design service for suitable schemes embracing:



- product selection and application
- technical review to confirm compliance with Building Regulations
- advice on exposure conditions
- wind load calculations
- framing construction and design solutions
- generation of scheme drawings for tendering purposes
- technical specification
- window samples for client/authority approval



deceuninck

HERITAGE 2800 FRENCH DOOR

2800
FRENCH
DOOR

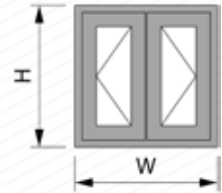
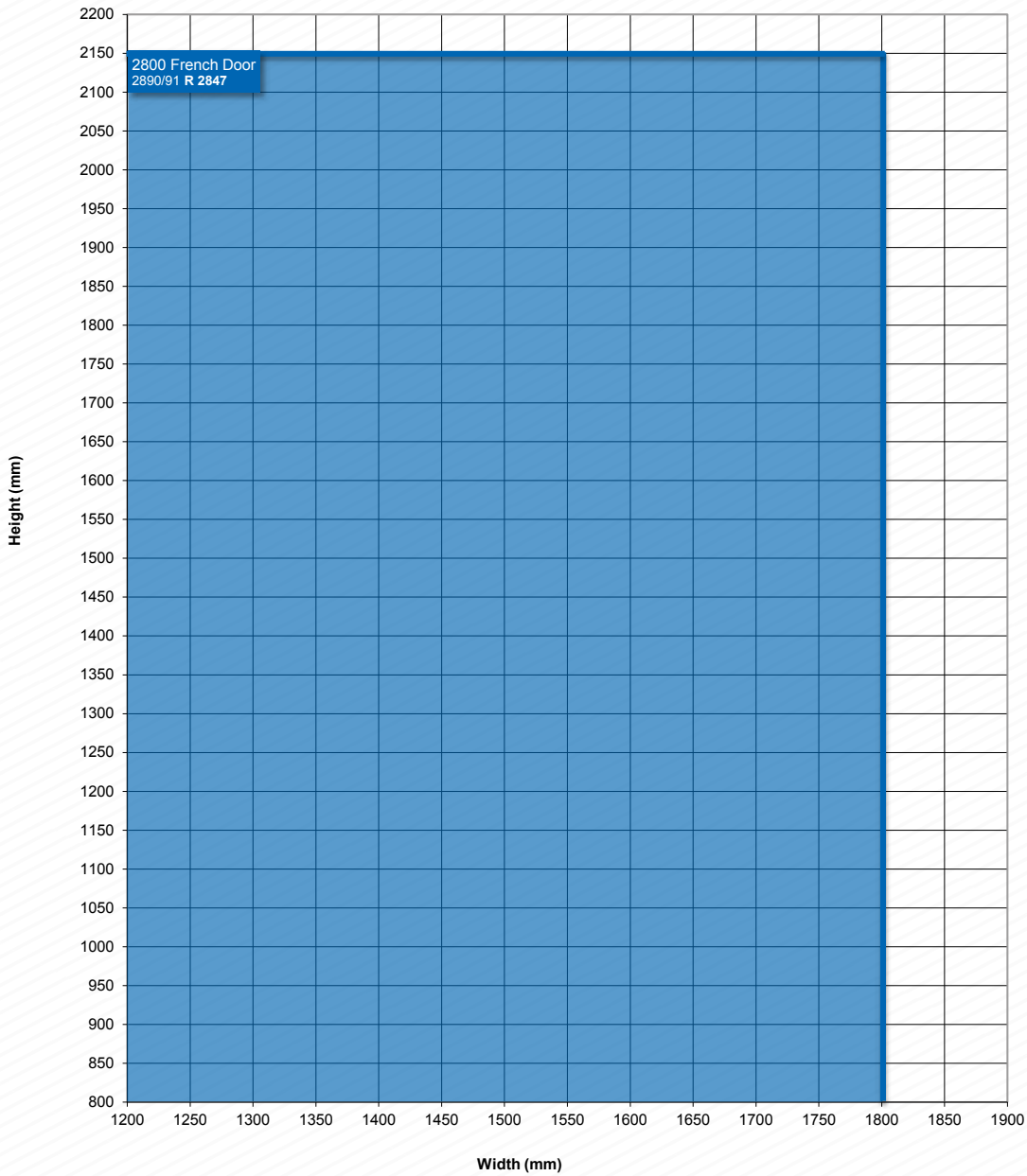


HERITAGE 2800

FRENCH DOOR

deceuninck

MAXIMUM FRAME DIMENSIONS



HERITAGE 2800

FLUSH DOOR

FRAMING

- one standard frame size (70mm)
- two PVC threshold sizes (50mm & 70mm)
- Part M compliant low threshold

SEALS/GASKETS

- main profiles supplied with high-performance integral multifunctional seal/gasket

REINFORCING

- dedicated galvanised steel profiles, optimised for strength and hardware compatibility

DOOR STYLES

- open-out
- fan lights and coupled side-light frames

FABRICATION

- fully welded construction

GLAZING

- glazing options from 3mm up to 40mm thickness
- Georgian bar

ANCILLARIES

- frame extensions and cills
- lightweight and structural coupling members

HARDWARE

- 20mm cavity depth
- 8mm normal sash-frame gap
- 11mm rebate height

SECURITY

- Kitemarked approved to PAS 24 enhanced security standard

THERMAL INSULATION

- Ud 1.0 W/m²k
- DSER E to A

DESIGN

- complements classical and contemporary architecture
- personalise with glazing bead options
- white colour RAL 9016
- many foil colour options available from stock
- Decoroc® colours and more foils on request

SIZE LIMITATION AND PERFORMANCE CHARACTERISTICS

HERITAGE 2800 PVC-U DOOR SYSTEM

DOOR TYPE	LENGTH (MM) - MAXIMUM	HEIGHT (MM) - MAXIMUM	AIR PERMEABILITY CLASSIFICATION	WATER TIGHTNESS CLASSIFICATION	RESISTANCE TO WIND CLASSIFICATION	EXPOSURE CATEGORY AS GIVEN IN TABLE 1 OF BS 6375-1
DOUBLE LEAF WITH LOW THRESHOLD	1990	2165	4	3A	A3	1200
DOUBLE LEAF WITH FULL FRAME	1990	2205	4	E1050	A3	1200
SINGLE LEAF WITH LOW THRESHOLD	1030	2165	4	9A	A3	1200
SINGLE LEAF WITH FULL FRAME	1030	2205	4	E1050	A3	1200

HERITAGE 2800 FLUSH DOOR

deceuninck

nbsPlus

riba
product
selector

nbs
BIM

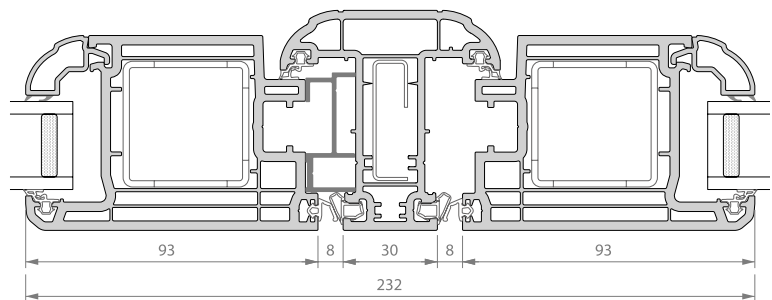
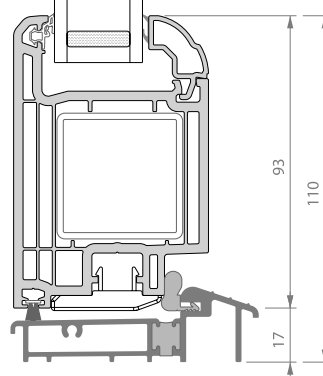
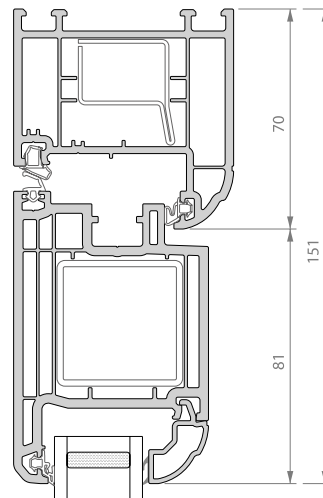
TECHNICAL AND SPECIFICATION SUPPORT

Specification Support forms an essential link between architects, specifiers and approved Deceuninck fabricators and installers. The team provide informed guidance on the use of products, samples, drawings and specifications with contact maintained throughout each stage of a contract to completion.

Deceuninck can offer a technical design service for suitable schemes embracing:



- product selection and application
- technical review to confirm compliance with Building Regulations
- advice on exposure conditions
- wind load calculations
- framing construction and design solutions
- generation of scheme drawings for tendering purposes
- technical specification
- window samples for client/authority approval



deceuninck

HERITAGE 2800 FLUSH DOOR

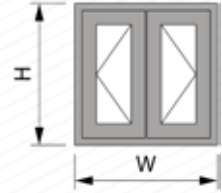
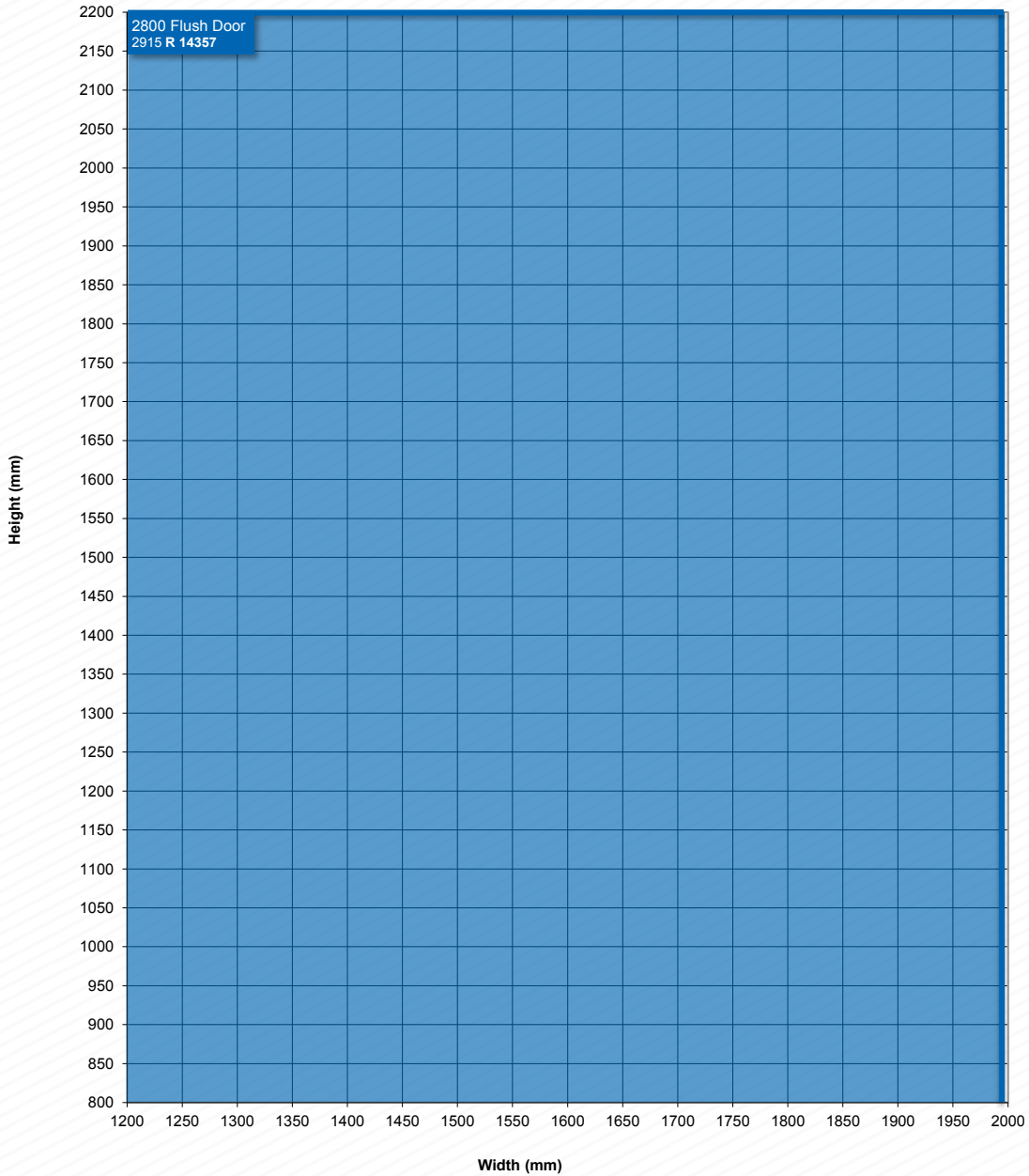
2800
FLUSH
DOOR



HERITAGE 2800 FLUSH DOOR

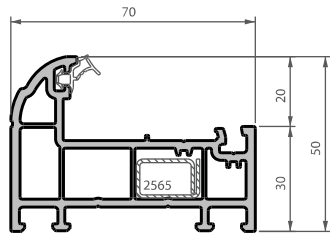
deceuninck

MAXIMUM FRAME DIMENSIONS

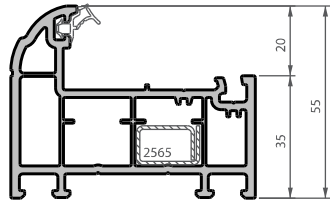


HERITAGE 2800

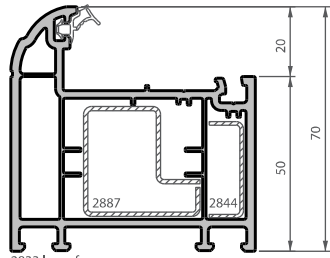
PRODUCT RANGE



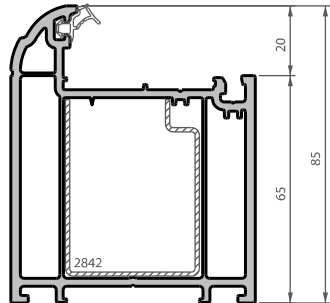
2800 slim frame



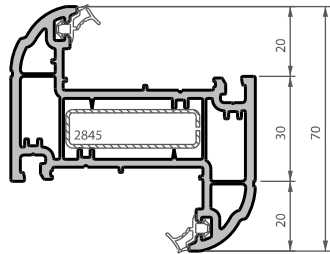
2892 small frame



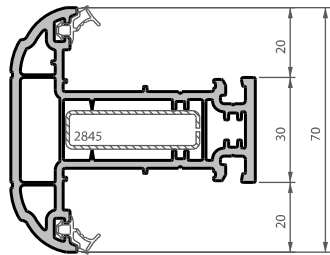
2833 large frame



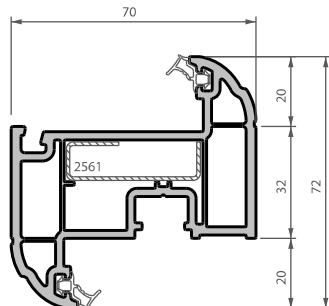
2822 extra large frame



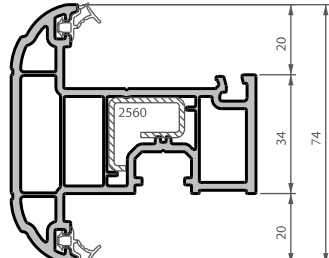
2836 Z transom/mullion



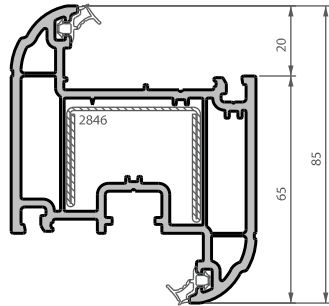
2836 T transom/mullion



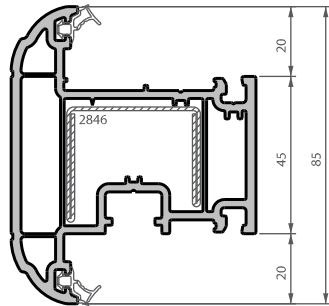
2826 externally beaded casement sash



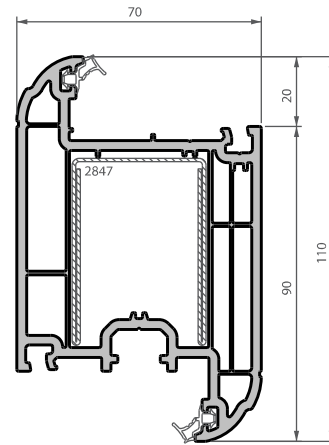
2885 internally beaded casement sash



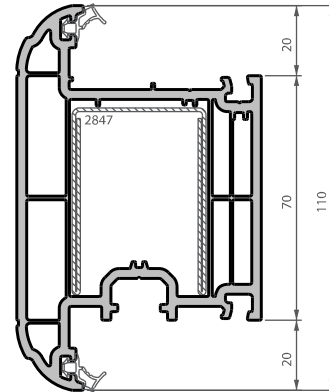
2828 tilt & turn, intermediate Z transom/mullion



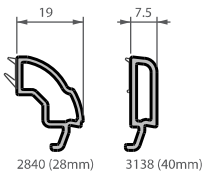
2829 intermediate T transom/mullion



2890 inward opening door sash, large Z transom/mullion



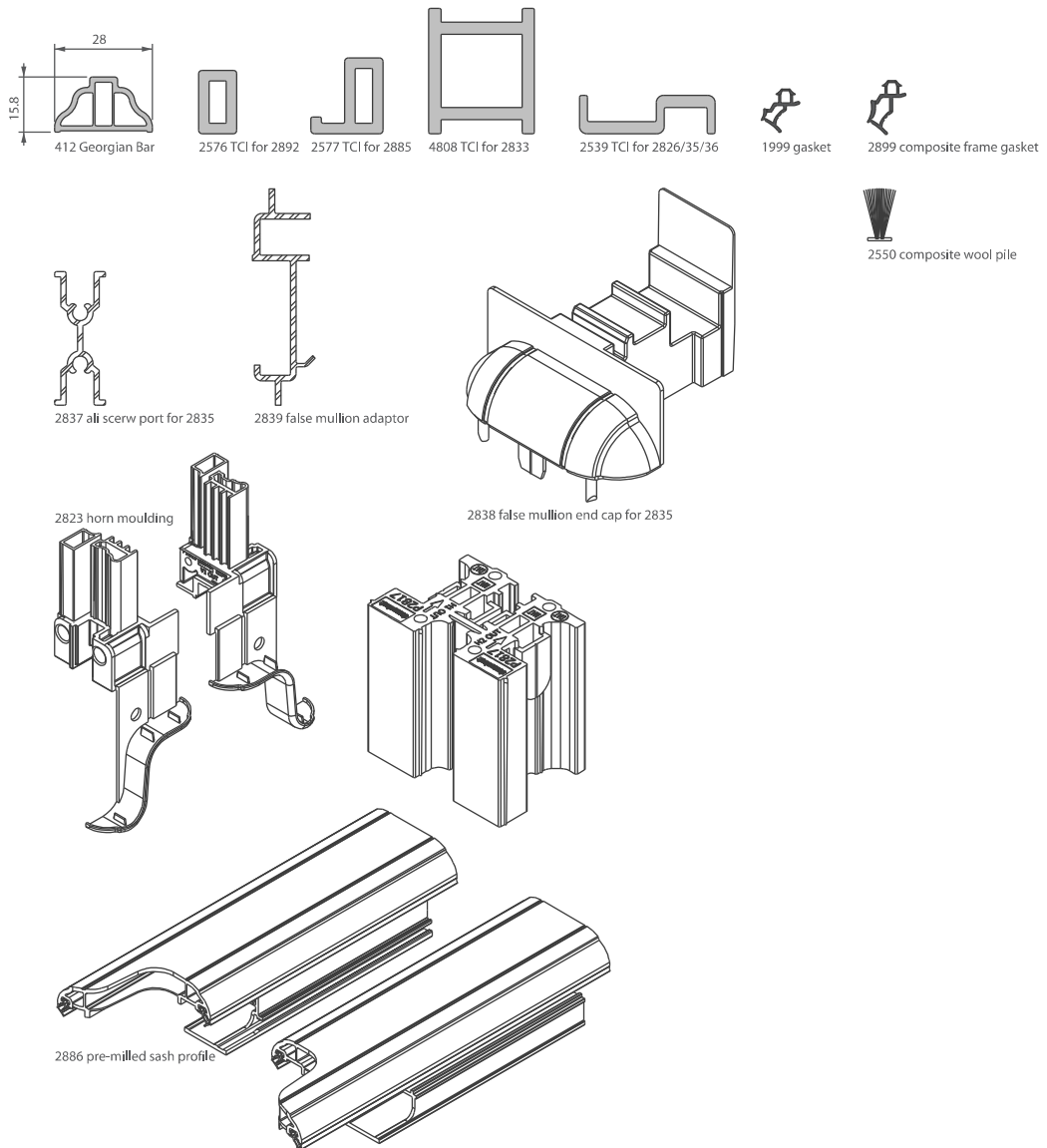
2891 outward opening door sash, large T transom/mullion



2840 (28mm)

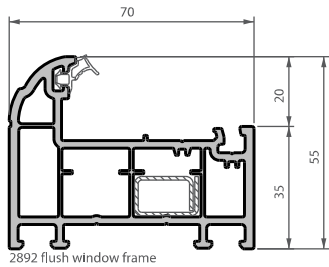
3138 (40mm)

HERITAGE 2800 PRODUCT RANGE

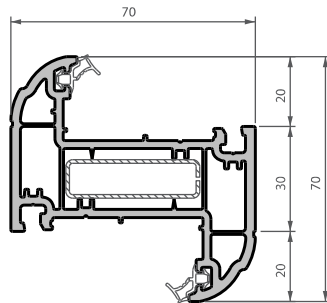


HERITAGE 2800

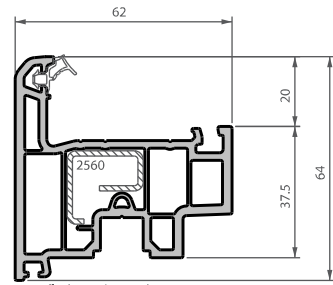
FLUSH WINDOW PRODUCT RANGE



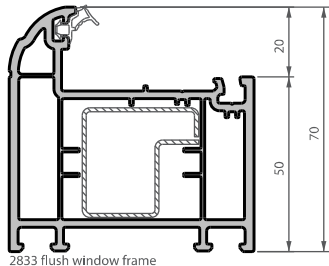
2892 flush window frame



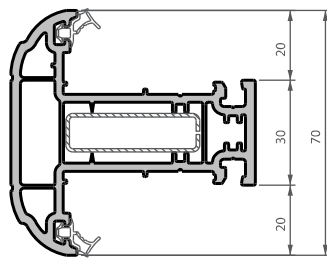
2836 Z transom/mullion



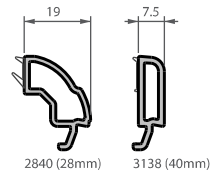
2802 flush window sash



2833 flush window frame

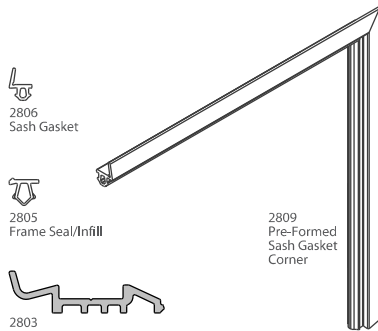


2835 T transom/mullion



2840 (28mm)

3138 (40mm)



2806 Sash Gasket

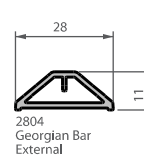
2805 Frame Seal/Infill

2803 Hinge Packer

2809 Pre-Formed Sash Gasket Corner



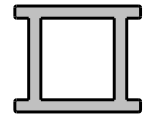
412 Georgian Bar Internal



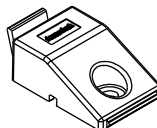
2804 Georgian Bar External



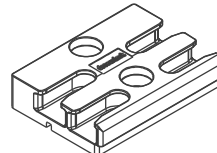
2576 TCI For 2892



4808 TCI For 2833



2807 Run-Up Block



2808 Striker Plate



2577 TCI For 2802



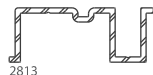
2539 TCI For 2835/36



2837 Mechanical Joint For 2835



2558 Mechanical Joint For 2835

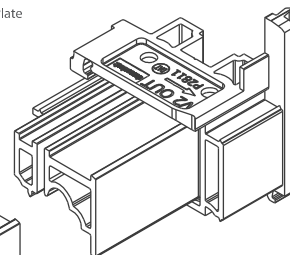
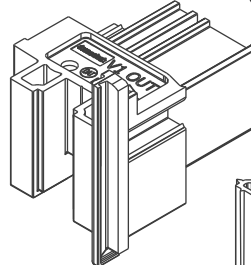


2813 False Mullion Adaptor

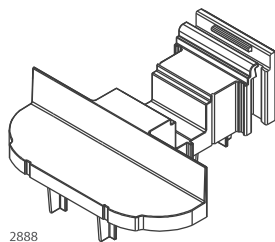


1435 Mechanical Joint For 2892

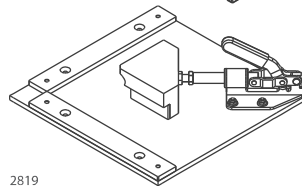
Mechanical Joint Kit 2812
Contains parts for 10 sashes



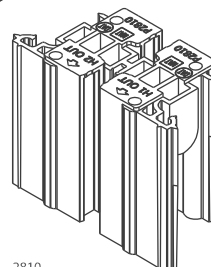
2811 Vertical Mech Joint (pair)



2888 False Mullion End Cap



2819 Mechanical Joint Assembly Jig



2810 Horizontal Mech Joint (pair)



2815 SFG 4.8 x 13 LH S



2816 SFG 4.8 x 50 LH S

HERITAGE 2800 FLUSH DOOR PRODUCT RANGE

